

DH-PFA13C

Junction Box



Features

- Aesthetic design
- Material: Aluminum
- Junction box

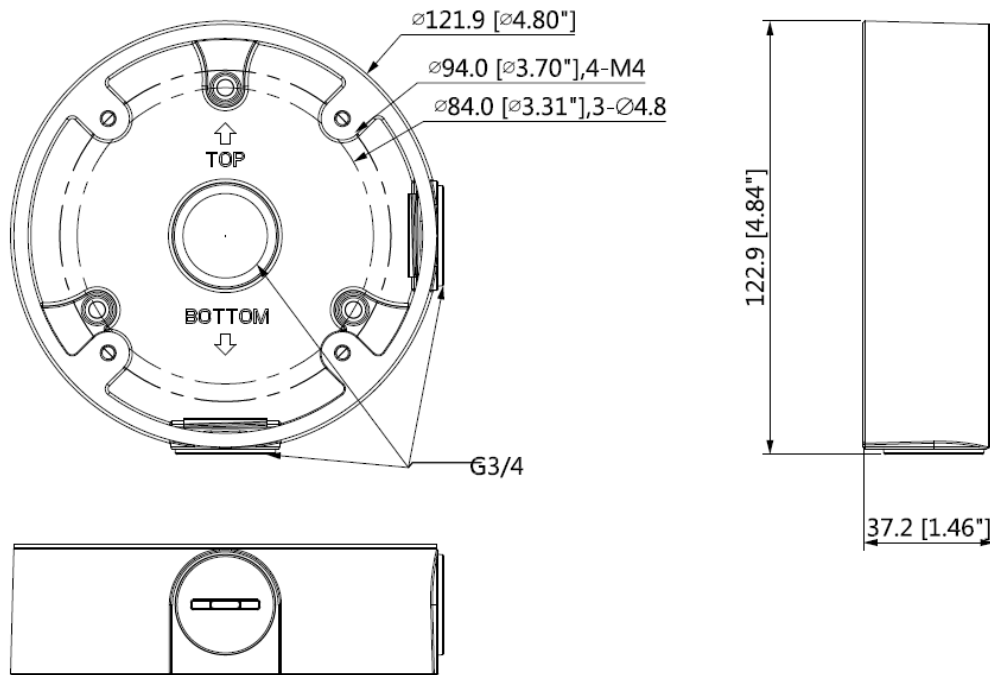
Technical Specifications

| | |
|-----------------------|----------------------------------|
| Model | DH-PFA13C |
| General | |
| Material | Aluminum |
| Dimension (W x H x D) | Φ123mmx37.2mm (Φ4.84"x1.46") |
| Pipe thread | G3/4" |
| Weight | 0.22kg(0.49lb) |
| Load bearing | 3.0kg(6.61lb) |
| Color | White |
| Operating temperature | -40°C ~60°C(-40°F ~140°F) |
| Humidity | 0~90% RH |
| Applicable model | Please see "Accessory Selection" |

Order Information

| Type | Part Number | Description |
|--------------|-------------|--------------|
| Camera mount | DH-PFA13C | Junction box |
| | PFA13C | Junction box |

Dimensions (mm/inch)



Application



Package Information

- Junction box *1
- M4x10 screw *4
- ST4x25 screw&anchor *3
- Mounting sticker *1
- S3.0 wrench *1