

DH-PFA162

Universal Joint



Features

- Aesthetic design
- Material: aluminum
- Housing bracket
- Support three-axis rotation for housing installation

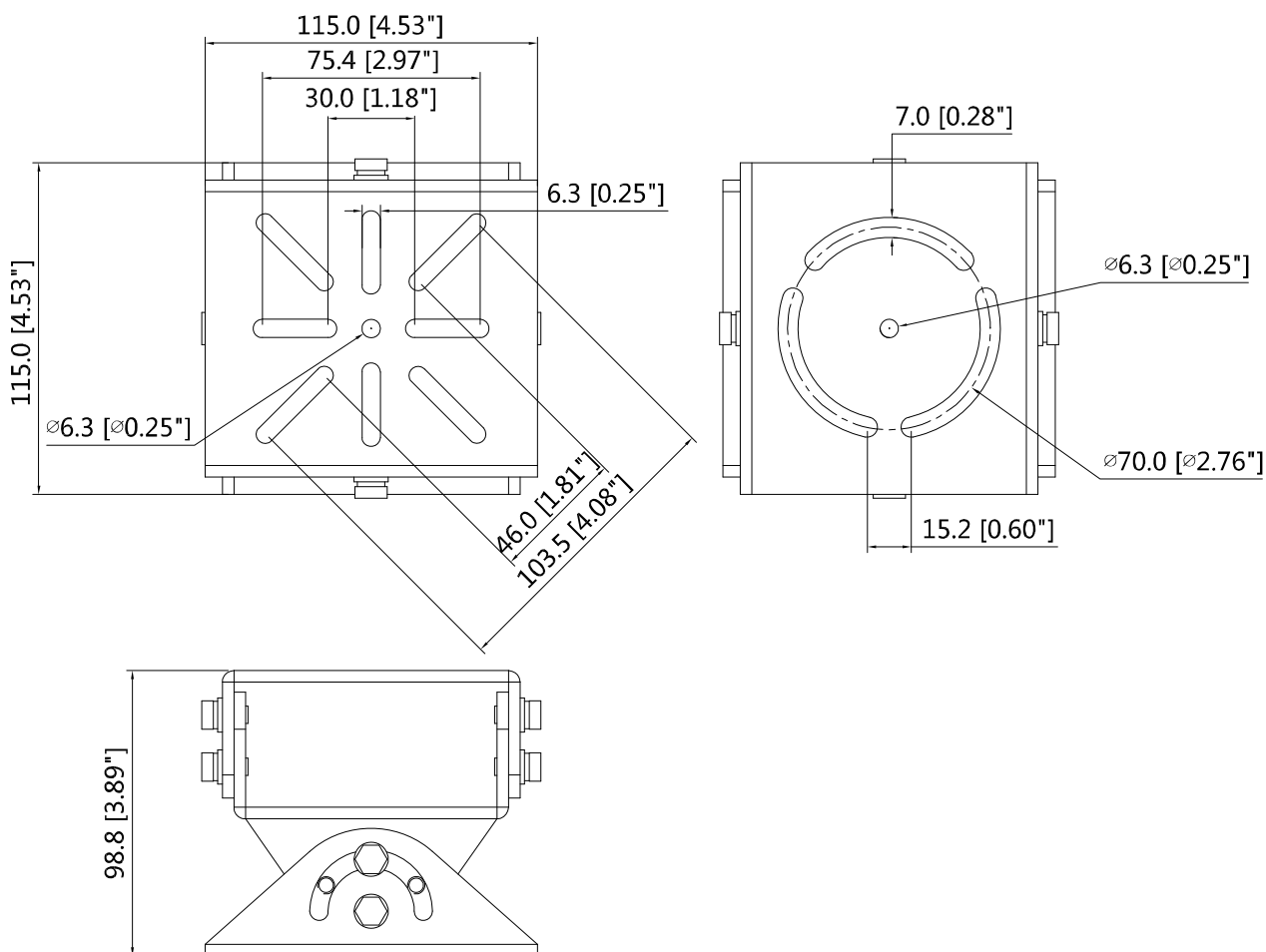
Technical Specifications

Model	DH-PFA162
General	
Material	Aluminum
Dimension (WxHxD)	115mmx115mmx98.8mm (4.53"x4.53"x3.89")
Weight	0.5kg(1.1lb)
Load Bearing	6.0kg(13.23lb)
Color	White
Operating Temperature	-40°C ~ +60°C (-40°F ~ +140°F)
Humidity	0~90% RH
Applicable Model	PFH610N/V/A series housing

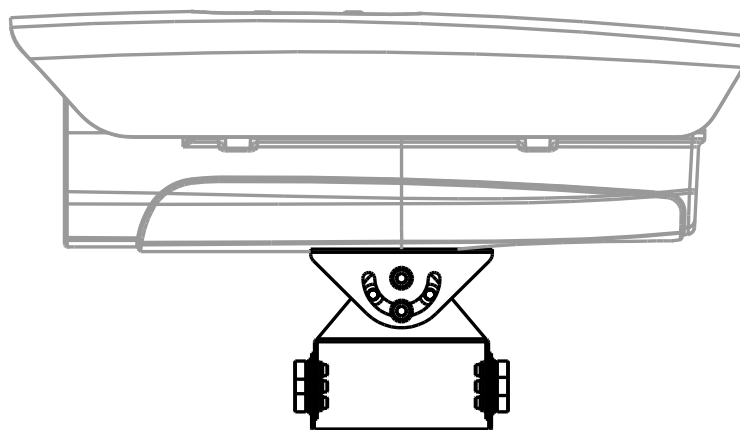
Order Information

Type	Part Number	Description
Camera Mount	DH-PFA162	Housing bracket
	PFA162	Housing bracket

Dimensions (mm/inch)



Application



Package Information

- Housing bracket *1
- M6x14 screw *2
- 1/4-20x12UNC screw *2
- Wrench *1