



Network

Positioning

TNU-6320E

2M H.264 Explosion-proof Camera



Key Features

- Max. 2megapixel (1920 x 1080) resolution
- Max. 60fps@2M all resolutions
- 4.44 ~ 142.6mm (32x) optical zoom, 16x digital zoom
- 0.15Lux@F1.6(color), 0.015Lux@F1.6(B/W)
- H.264, MJPEG dual codec, Multiple streaming
- Day & Night (ICR), WDR (120dB)
- Pan/Tilt : 50°/sec (Preset), Endless rotation, 255 preset
- Face detection, Tampering, Virtual line support
- Explosion-proof certificate : CE2460 EX II 2 GD Ex d IIC T6 Gb IP67 Ex tb IIIC T80°C Db

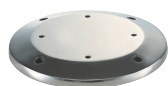
Compatible Accessories (Optional)



SBE-100PM



SBE-100WM



SBE-100B

TNU-6320E

2M H.264 Explosion-proof Camera



Specifications

Video	
Imaging Device	1/2.8" 2MP CMOS
Resolution	1920x1080, 1280x1024, 1280x960, 1280x720, 1024x768, 800x600, 800x448, 720x576, 720x480, 640x480, 640x360, 320x240
Max. Framerate	H.264: Max. 60fps/50fps(60Hz/50Hz)\nMJPEG: Max. 30fps/25fps(60Hz/50Hz)
Min. Illumination	Color: 0.15Lux(F1.6, 1/30sec)\nB/W: 0.015Lux(F1.6, 1/30sec)
Lens	
Focal Length (Zoom Ratio)	4.44~142.6mm(32x) zoom
Max. Aperture Ratio	F1.6 (Wide)~F4.4 (Tele)
Angular Field of View	H: 62.8°(Wide)~2.23°(Tele) / V: 36.80°(Wide)~1.26°(Tele)
Min. Object Distance	1.5m(59.06ft)
Focus Control	Oneshot AF
Lens Type	DC auto iris
Pan / Tilt / Rotate	
Pan Range	360° Endless
Pan Speed	Preset: 50°/sec, Manual: 0.1°/sec ~ 40°/sec
Tilt Range	180°(-90°~90°)
Tilt Speed	Preset: 50°/sec, Manual: 0.1°/sec ~ 40°/sec
Sequence	Preset(255ea), Swing, Group(6ea), Trace, Tour, Auto Run, Schedule
Preset Accuracy	±0.2°
Operational	
Camera Title	Displayed up to 45 characters
Direction Indicator	Support
Day & Night	Auto(ICR)
Backlight Compensation	BLC, WDR, SDR
Wide Dynamic Range	120dB
Digital Noise Reduction	SSNRIII
Digital Image Stabilization	Support
Defog	Support
Motion Detection	4ea, rectangular zone
Gain Control	Low / Middle / High
White Balance	ATW / AWC / Manual / Indoor / Outdoor
Electronic Shutter Speed	Minimum / Maximum / Anti flicker (2~1/12,000sec)
Analytics	Face detection, Motion detection, Appear/Disappear, Enter/Exit, Tampering, Virtual line
Alarm I/O	Input 1ea / Output 1ea
Alarm Triggers	Analytics, Network disconnect, Alarm input

Alarm Events	File upload via FTP and e-mail\nNotification via e-mail \nNAS recording at event triggers\nAlarm output
Water Removal	Support
Network	
Ethernet	RJ-45(10/100BASE-T)
Video Compression	H.264: Main/Baseline/High, MJPEG
Smart Codec	Manual(5ea area)
Bitrate Control	H.264: CBR or VBR\nMJPEG: VBR
Streaming	Unicast(10 users) / Multicast\nMultiple streaming(Up to 10 profiles)
Protocol	IPv4, IPv6, TCP/IP, UDP/IP, RTP(UDP), RTP(TCP), RTCP,RTSP, NTP, HTTP, HTTPS, SSL/TLS, DHCP, FTP, SMTP, ICMP, IGMP, SNMPv1/v2c/v3(MIB-2), ARP, DNS, DDNS, QoS, PIM-SM, UPnP, Bonjour
Security	HTTPS(SSL) Login Authentication\nDigest Login Authentication\nIP Address Filtering\nUser access Log\n802.1X Authentication(EAP-TLS, EAP-LEAP)
Application Programming Interface	SUNAPI (HTTP API)\nSVNP 1.2\nWisenet open platform
General	
Webpage Language	English, Korean, Chinese, French, Italian, Spanish, German, Japanese, \nRussian, Swedish, Portuguese, Czech, Polish, Turkish, Dutch, Hungarian, Greek
Memory	512MB RAM, 128MB Flash
Environmental & Electrical	
Operating Temperature / Humidity	-40°C~+60°C (-40°F~+140°F) / Less than 90% RH \n* Start up should be done at above -30°C
Storage Temperature / Humidity	-30°C~+60°C (-22°F~+140°F) / Less than 90% RH
Certification	IP67, IK10\nCE2460, EX II 2 GD, Ex d IIC T6 Gb IP67\nEx tb IIIC T80°C Db
Input Voltage	24VAC
Power Consumption	24VAC: Max 49W
Mechanical	
Color / Material	Silver / Stainless(SUS316L)
Product Dimensions / Weight	384(W)x402(H)x250(D)mm(15.12x15.83x9.84"), 35kg(77.16 lb)

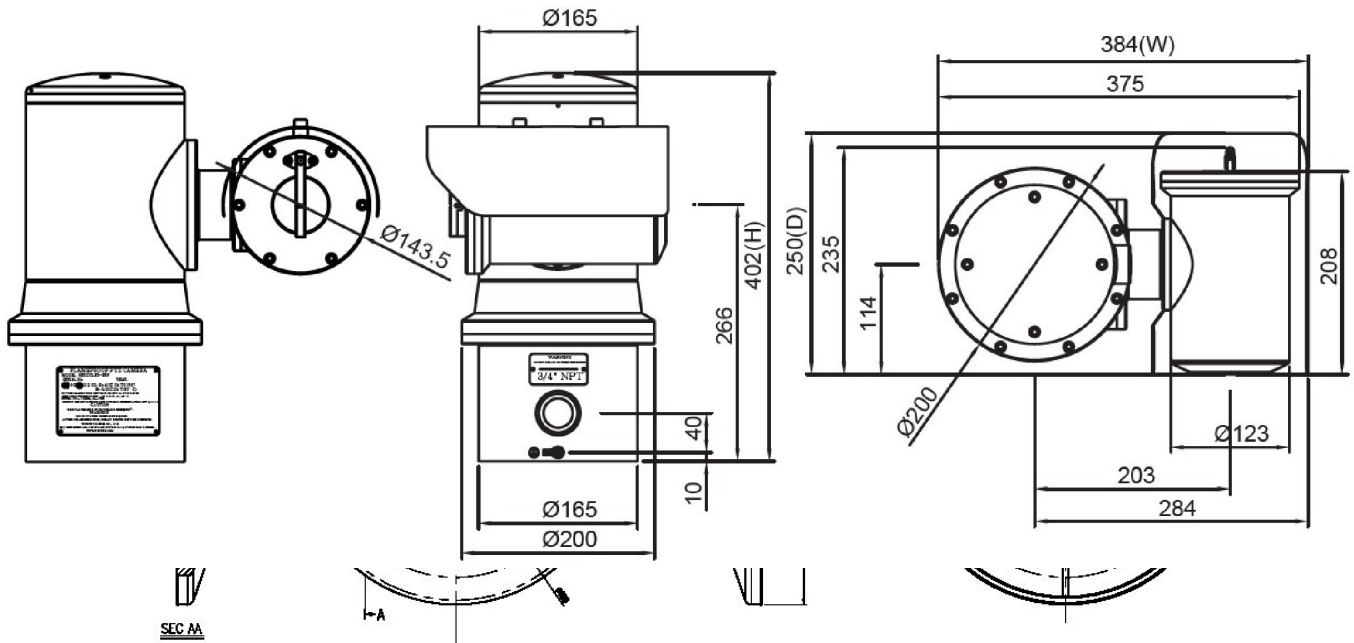
TNU-6320E

2M H.264 Explosion-proof Camera



CAD

Unit:mm [inch]



TNU-6320E

2M H.264 Explosion-proof Camera



CAD

Unit:mm [inch]

TNU-6320E

2M H.264 Explosion-proof Camera



CAD

Unit:mm [inch]