



Network

Bullet

LNO-6072R

2MP IR Bullet Camera



Key Features

- Maximum 2MP resolution
- Color: 0.03Lux(F1.6, 1/30sec) BW : 0Lux (IR LED on)
- 3.2~10mm(3.1x) manual varifocal
- Maximum 30fps@2MP all resolutions (H.264)
- H.264, MJPEG codec supported, Multiple streaming
- Day & Night (ICR), WDR (120dB)
- Tampering, Motion detection
- Micro SD/SDHC memory slot (32GB), PoE
- Hallway view (90°/270°), WiseStreamII support
- IR viewable length 30m(98.43ft)
- IP66 support

LNO-6072R

2MP IR Bullet Camera



Specifications

Video	
Imaging Device	1/2.8" CMOS
Resolution	1920x1080, 1280x960, 1280x720, 800x600, 800x448, 720x576, 720x480, 640x480, 640x360
Max. Framerate	H.264 : Max. 30fps/25fps(60Hz/50Hz)\nMJPEG : Max. 2fps at 1920x1080, Max.. 3fps at 1280x960, 1280x720,\n Max. 10fps at other resolution
Min. Illumination	Color: 0.03Lux(F1.6, 1/30sec)\nBW : 0Lux (IR LED on)
Lens	
Focal Length (Zoom Ratio)	3.2~10mm(3.1x) manual varifocal
Max. Aperture Ratio	F1.6(Wide)~F2.9(Tele)
Angular Field of View	H: 109.0°(Wide)~33.2°(Tele)/ V: 57.4°(Wide)~18.7° (Tele)/ D: 132.0°(Wide)~38.0° (Tele)
Min. Object Distance	0.5m(1.64ft)
Focus Control	Manual
Lens Type	DC auto iris
Operational	
Camera Title	Displayed up to 15 characters
Day & Night	Auto(ICR)
Backlight Compensation	BLC, WDR, SSSDR
Wide Dynamic Range	120dB
Digital Noise Reduction	SSNR
Motion Detection	4ea, rectangler zones
Privacy Masking	6ea, rectangular zones
Gain Control	Low / Middle / High
White Balance	ATW / AWC / Manual / Indoor / Outdoor
LDC	Support
Electronic Shutter Speed	Minimum / Maximum / Anti flicker (2~1/12,000sec)
Video Rotation	Flip, Mirror, Hallway view(90-/270-)
Analytics	Motion detection, Tampering
Alarm Triggers	Analytics
Alarm Events	File upload via FTP and e-mail \nNotification via e-mail \nSD/SDHC recording at event triggers
IR Viewable Length	30m(98.43ft)
Network	
Ethernet	RJ-45(10/100BASE-T)
Video Compression	H.264: Main/Baseline/High, MJPEG
Smart Codec	WiseStream II
Bitrate Control	H.264: CBR or VBR\nMJPEG: VBR
Streaming	Unicast(6 users) / Multicast\nMultiple streaming (Up to 3 profiles)

Protocol	IPv4, IPv6, TCP/IP, UDP/IP, RTP(UDP), RTP(TCP), RTCP, RTSP, NTP, HTTP, HTTPS, SSL/TLS, DHCP, FTP, SMTP, ICMP, IGMP, SNMPv1/v2c/v3(MIB-2), ARP, DNS, DDNS, QoS, UPnP, Bonjour
Security	HTTPS(SSL) Login Authentication\nDigest Login Authentication\nIP Address Filtering\nUser access log\n802.1X Authentication(EAP-TLS, EAP-LEAP)
Application Programming Interface	ONVIF Profile S/G/T\nSUNAPI(HTTP API)
General	
Webpage Language	English, Korean, Chinese, French, Italian, Spanish, German, Japanese, Russian, Portuguese, Czech, Polish, Turkish, Dutch
Edge Storage	Micro SD/SDHC 1slot 32GB
Memory	512MB RAM, 256MB Flash
Environmental & Electrical	
Operating Temperature / Humidity	-30°C ~ +55°C(-22°F ~ +131°F) / Less than 90% RH\n* Start up should be done at above -20°C(-4°F)
Storage Temperature / Humidity	-30°C ~ +55°C(-22°F ~ +131°F) / Less than 90% RH
Certification	IP66
Input Voltage	PoE(IEEE802.3af, Class2)
Power Consumption	Max 6.4W, Typical 5.0W
Mechanical	
Color / Material	Dark grey / Plastic
Product Dimensions / Weight	Ø78.0x262.0mm(Ø3.07x10.31”), 420g(0.93lb)
DORI (EN62676-4 standard)	
Detect (25PPM/ 8PPF)	Wide: 27.4m(89.85ft) / Tele: 128.8m(422.56ft)
Observe (63PPM/ 19PPF)	Wide: 11.0m(35.94ft) / Tele: 51.5m(169.02ft)
Recognize (125PPM/ 38PPF)	Wide: 5.5m(17.97ft) / Tele: 25.8m(84.51ft)
Identify (250PPM/ 76PPF)	Wide: 2.7m(8.99ft) / Tele: 12.9m(42.26ft)

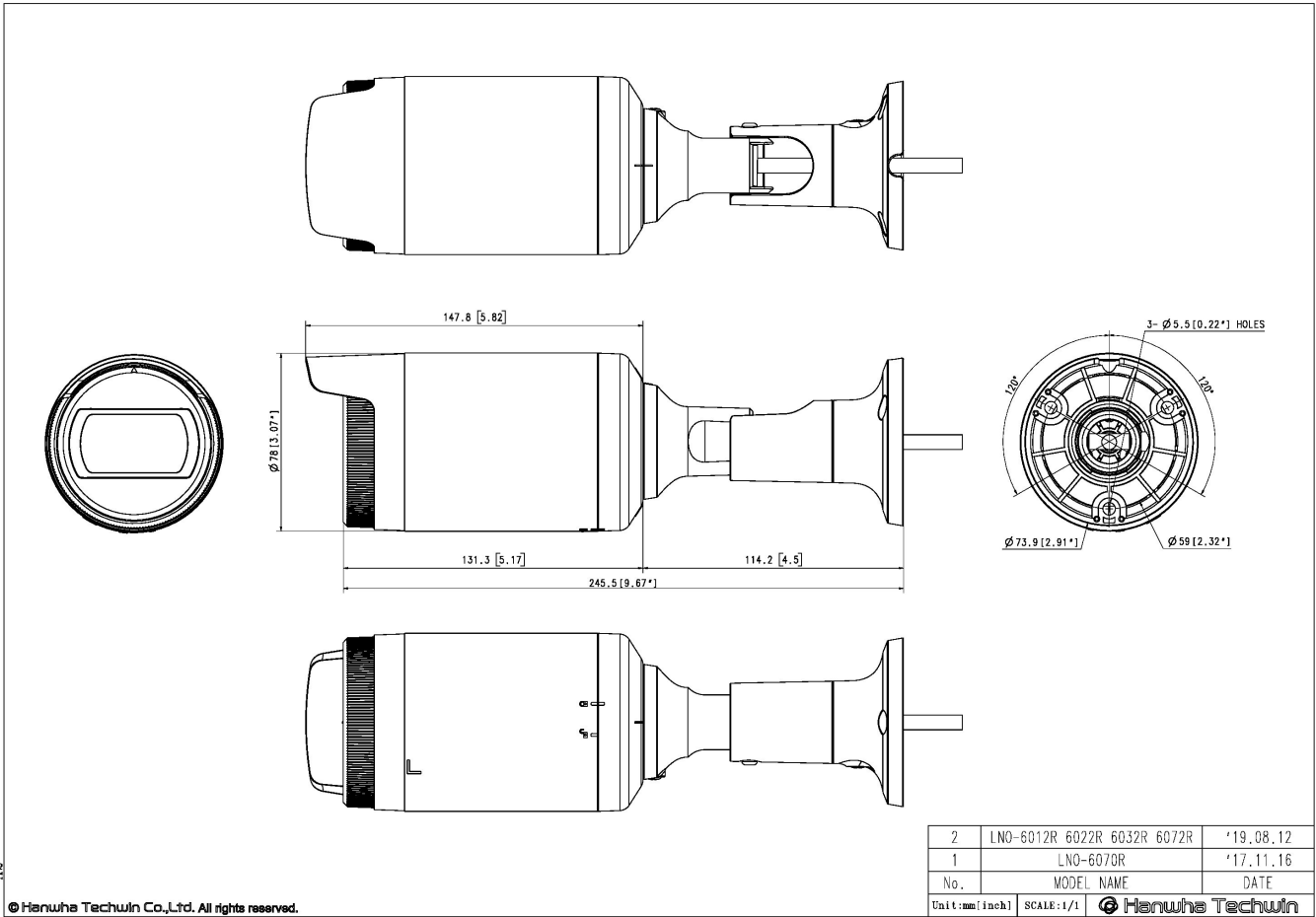
LNO-6072R

2MP IR Bullet Camera



CAD

Unit:mm [inch]



A2

© Hanwha Techwin Co.,Ltd. All rights reserved.