



Network

Dome

XNV-9083RZ

8MP AI IR Vandal Dome Camera

FC

UL LISTED

CE

ETL



Key Features

- 8MP resolution
- 4.4~9.3mm (2.1x) motorized varifocal
- Color: 0.04 Lux (F1.3, 1/30sec, 30IRE), 0 Lux (IR LED on)
- Maximum 30 fps (H.265/H.264)
- IR viewable length: 15m (49.21ft), 30m(98.43ft) based on scene
- Day & Night (ICR), extremeWDR (120 dB)
- Hard-coated dome bubble
- WiseNR II (Based on AI engine), WiseStreamIII (Based on AI engine)
- Analytics events based on AI engine (NPU) : Object detection (Person/Face/Vehicle - car, truck, bus, bicycle, motorcycle/License plate), IVA (Virtual line/Area, Enter/Exit, Loitering, Direction, Intrusion)
- Analytics events : Defocus detection, Motion detection, Tampering, Fog detection, Audio detection, Sound classification, Shock detection, Appear/Disappear
- IP66/IP67/IP6K9K, NEMA4X, IK10+

XNV-9083RZ

8MP AI IR Vandal Dome Camera



Specifications

Video	
Imaging Device	1/1.8" progressive CMOS
Resolution	3840x2160, 3328x1872, 3072x1728, 2592x1944, 2688x1520, 1920x1080, 1600x1200, 1280x1024, 1280x960, 1280x720, 1024x768, 800x600, 800x448, 720x576, 720x480, 640x480, 640x360, 320x240
Max. Framerate	H.265/H.264: Max. 30fps/25fps(60Hz/50Hz)\nMJPEG: Max. 15fps/12fps(60Hz/50Hz)
Min. Illumination	Color: 0.03Lux(F1.3, 1/30sec, 30IRE)\nBW: 0.003Lux(F1.3, 1/30sec, 30IRE), 0Lux(IR LED on)
Lens	
Focal Length (Zoom Ratio)	4.4~9.3mm(2.1x) motorized varifocal
Max. Aperture Ratio	F1.3(Wide) ~ F2.15(Tele)
Angular Field of View	H: 113°(Wide)~47°(Tele)\nV: 58°(Wide)~26°(Tele)\nD: 138°(Wide)~54°(Tele)
Min. Object Distance	0.5m(1.64ft)
Focus Control	Simple focus, Manual
Lens Type	P-iris(IR corrected)
Pan / Tilt / Rotate	
Pan / Tilt / Rotate Range	Remote adjustment(Max. 200cycles)\n0°~350° / 0°~85° / 0°~340°
Operational	
Camera Title	Displayed up to 85 characters
Day & Night	Auto(ICR)
Backlight Compensation	BLC, HLC, WDR, SSSDR
Wide Dynamic Range	extremeWDR (120dB)
Digital Noise Reduction	WiseNR II (Based on AI engine), SSNR V
Digital Image Stabilization	Support
Defog	Support
Motion Detection	8ea, 8point Polygonal zones
Privacy Masking	32ea, 4point Quadrangle zones\n- Color : Gray, Green, Red, Blue, Black, White\n- Mosaic
Gain Control	Off / Max Gain / Manual
White Balance	ATW / Narrow ATW / AWC / Manual / Indoor / Outdoor
LDC	Support (Fill/stretch mode)
Electronic Shutter Speed	Minimum / Maximum / Prefer / Anti flicker (2~1/12,000sec)\nAuto Prefer shutter control(Based on AI engine)
Video Rotation	Flip, Mirror, Hallway view(90°/270°)
Analytics	Classified object type : Person/Face/Vehicle/License plate\nAttributes : Vehicle(Type:car/bus/truck/motorcycle/bicycle)\nSupport DetectionShot\nAnalytics events based on AI engine\n- Object detection, Virtual line(Crossing/Direction), Virtual area(Loitering/Intrusion/Enter/Exit)\nAnalytics events\n- Defocus detection, Motion detection, Tampering, Fog detection, Virtual area(Appear/Disappear)\n\n* Audio detection, Sound classification(with NW I/O box SPM-4210)
Alarm Triggers	Analytics, Network disconnect, App event, Time schedule\n* Alarm input(with NW I/O Box SPM-4210)

Alarm Events	When alarm trigger occurred\n - File upload(image) : e-mail/FTP\n - Notification : e-mail\n - Recording : SD/SDHC/SDXC or NAS recording at event triggers\n - Alarm output(with NW I/O box SPM-4210)\n - Handover(PTZ preset, Send message by HTTP/HTTPS/TCP)
IR Viewable Length	15m(49.21ft)\n30m(98.43ft) based on scene
Network	
Ethernet	Metal shielded RJ-45(10/100/1000BASE-T)
Video Compression	H.265/H.264: Main/High, MJPEG
Smart Codec	Manual(5ea area), WiseStream II , WiseStreamIII(Based on AI engine)
Bitrate Control	H.264/H.265: CBR or VBR\nMJPEG: VBR
Streaming	Unicast(20 users) / Multicast\nMultiple streaming(Up to 10 profiles, 3 virtual channel support)
Protocol	IPv4, IPv6, TCP/IP, UDP/IP, RTP(UDP), RTP(TCP), RTCP,RTSP, NTP, HTTP, HTTPS, SSL/TLS, DHCP, FTP, SMTP,\nICMP, IGMP, SNMPv1/v2c/v3(MIB-2), ARP, DNS, DDNS, QoS, UPnP, Bonjour, LLDP, SRTP (TCP, UDP Unicast)
Security	TPM 2.0 (FIPS 140-2 level 2)\nHTTPS(SSL) Login Authentication\nDigest Login Authentication\nIP Address Filtering\nUser access log\n802.1X Authentication(EAP-TLS, EAP-LEAP, EAP-PEAP MSCHAPv2)\nDevice Certificate(Hanwha Techwin Root CA, pre-installed)\nSecure by default certificate\nSecure OS/Boot/Storage, Verify firmware forgery
Application Programming Interface	ONVIF Profile S/G/T/M\nSUNAPI(HTTP API)\nWisenet open platform
General	
Webpage Language	English, Korean, Chinese, French, Italian, Spanish, German, Japanese, Russian, Portuguese, Czech, Polish, Turkish, Dutch, Greek, Hungarian
Edge Storage	Micro SD/SDHC/SDXC 2slot Max. 1TB (512GB * 2)
Memory	4GB RAM, 512MB Flash
Environmental & Electrical	
Operating Temperature / Humidity	-50°C~+55°C(-58°F ~ +131°F)\n * Start up should be done at above -30°C\n0~95%RH(non-condensing)\nHumidity control /w AIR vent
Storage Temperature / Humidity	-50°C ~ +60°C(-58°F ~ +140°F) / Less than 90% RH
Certification	IP66/IP67/IP6K9K, NEMA4X, IK10+
Input Voltage	PoE+(IEEE802.3at type 2, Class4)
Power Consumption	PoE+: Max 22.5W, typical 12.1W
Mechanical	
Color / Material	White / Aluminum\nHard-coated dome bubble
RAL Code	RAL9003
Product Dimensions / Weight	Ø180x135mm(7.09x5.31"), 2000g(4.41 lb)
Compatible Conduit hole / Gangbox	19.1mm(3/4")(M25)\nsingle, double, 4" octagon, 4" square
Hanging Mount (Dome)	SBP-187HMW
Certifications & Standards	
EMC	EN 50121-4\nFCC 47 CFR 15 Subpart B Class A\nICES-3(A)/NMB-3(A)\nCE/UKCA\n - EN 55032 Class A, EN 50130-4, EN 61000-3-2, EN 61000-3-3\nVCCI CISPR 32 Class A\nRCM AS/NZS CISPR 32 Class A\nKS C 9832 Class A , KS C 9835
Safety	UL 62368-1, CAN/CSA C22.2 NO. 62368-1\nIEC 62471
Environment	EN IEC 63000\nIEC 60529 IP66/IP67, ISO 20653 IP6K9K, IEC 62262 IK10+\nNEMA 250 type 4X
DORI (EN62676-4 standard)	
Detect (25PPM/ 8PPF)	Wide: 51.7m(166.77ft) / Tele: 176.6m(579.49ft)
Observe (63PPM/ 19PPF)	Wide: 20.3m(66.71ft) / Tele: 70.7m(231.80ft)
Recognize (125PPM/ 38PPF)	Wide: 10.2m(33.35ft) / Tele: 35.3m(115.90ft)
Identify (250PPM/ 76PPF)	Wide: 5.1m(16.68ft) / Tele: 17.7m(57.95ft)

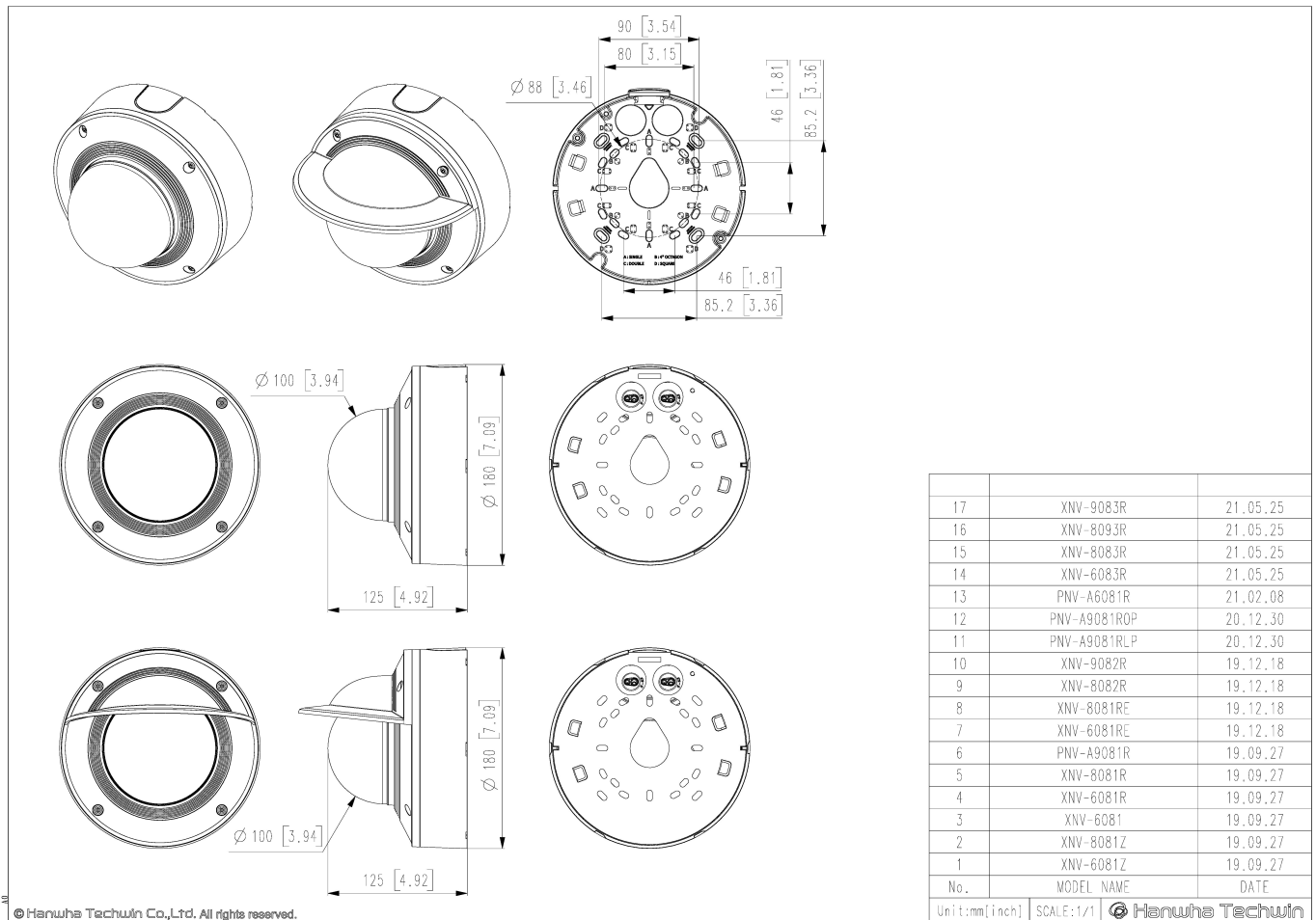
XNV-9083RZ

8MP AI IR Vandal Dome Camera



CAD

Unit:mm [inch]



© Hanwha Techwin Co., Ltd. All rights reserved.