

DHI-VTH1020J-T

Analog Indoor Monitor



- 7" TFT screen
- Video intercom function: Unlock, voice call, video call, volume adjustment
- Touch button
- Multiple bell sounds
- Take snapshots



Technical Specification

DHI-VTH1020J-T

System

Button Type	Touch button
-------------	--------------

Basic

Display	7.0" TFT
---------	----------

Resolution	1024 × 600
------------	------------

Indicator Light	1 indicator light; Green: Power on
-----------------	------------------------------------

Function

Communication Method	Analog
----------------------	--------

Performance

Casing	PC + ABS
--------	----------

General

Color	White
-------	-------

Power Supply	DC 12V/1A
--------------	-----------

Installation	Surface mount
--------------	---------------

Certifications	CE/FCC
----------------	--------

Accessory	Bracket (included)
-----------	--------------------

Dimensions	133.90 mm × 182.70 mm × 17.70 mm (5.27" × 7.19" × 0.70")
------------	--

Operating Temperature	-10°C to +55°C (+14°F to +131°F)
-----------------------	----------------------------------

Operating Humidity	10%RH–95%RH
--------------------	-------------

Power Consumption	≤ 2W (standby) ≤ 5W (working)
-------------------	----------------------------------

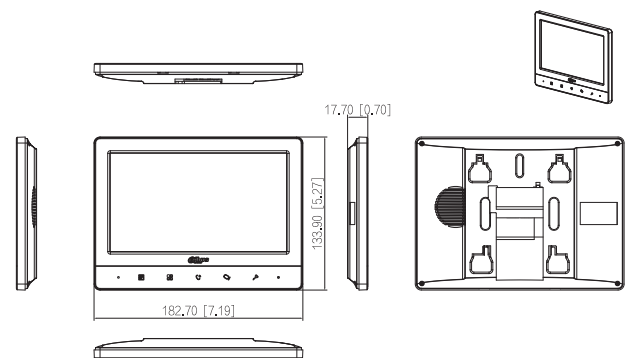
Net Weight	0.25 kg (0.55 lb)
------------	-------------------

Gross Weight	0.48 kg (1.05 lb)
--------------	-------------------

Ordering Information

Type	Model	Description
Analog Indoor Monitor	DHI-VTH1020J-T	Analog Indoor Monitor

Dimensions (mm[inch])



Application

