

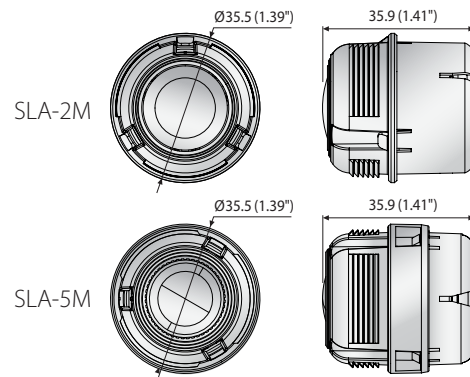
# SLA-2M2400Q/2800Q/3600Q/6000Q SLA-5M3700Q/4600Q/7000Q

Exchangeable 2MP / 5MP lenses for PNM-9000VQ



## Dimensions

Unit : mm (inch)



## Key Features

- 0.055Lux@F2.0 Color, B/W (2MP lenses)
- 0.16Lux@F1.6 Color, B/W (5MP lenses)
- Selectable lens options :
  - 2.4 / 2.8 / 3.6 / 6.0mm fixed lens (2MP)
  - 3.7 / 4.6 / 7.0mm fixed lens (5MP)

|                           | SLA-2M2400Q  | SLA-2M2800Q  | SLA-2M3600Q  | SLA-2M6000Q  |
|---------------------------|--|--|--|--|
| <b>VIDEO</b>              |  |  |  |  |
| Imaging Device            | 1 / 2.8" 2M CMOS   | 1 / 2.8" 2M CMOS   | 1 / 2.8" 2M CMOS   | 1 / 2.8" 2M CMOS   |
| Total Pixels              | 1945 (H) x 1109 (V) 2.16M  | 1945 (H) x 1109 (V) 2.16M  | 1945 (H) x 1109 (V) 2.16M  | 1945 (H) x 1109 (V) 2.16M  |
| Effective Pixels          | 1945 (H) x 1097 (V) 2.13M  | 1945 (H) x 1097 (V) 2.13M  | 1945 (H) x 1097 (V) 2.13M  | 1945 (H) x 1097 (V) 2.13M  |
| Scanning System           | Progressive scan   | Progressive scan   | Progressive scan   | Progressive scan   |
| Min. Illumination         | Color : 0.055 Lux (F2.0, 1 / 30sec, 30IRE)<br>B/W : 0.055 Lux (F2.0, 1 / 30sec, 30IRE) | Color : 0.055 Lux (F2.0, 1 / 30sec, 30IRE)<br>B/W : 0.055 Lux (F2.0, 1 / 30sec, 30IRE) | Color : 0.055 Lux (F2.0, 1 / 30sec, 30IRE)<br>B/W : 0.055 Lux (F2.0, 1 / 30sec, 30IRE) | Color : 0.055 Lux (F2.0, 1 / 30sec, 30IRE)<br>B/W : 0.055 Lux (F2.0, 1 / 30sec, 30IRE) |
| S / N Ratio               | 50dB   | 50dB   | 50dB   | 50dB   |
| Wide Dynamic Range        | 150dB  | 150dB  | 150dB  | 150dB  |
| Day & Night               | Electrical   | Electrical   | Electrical   | Electrical   |
| <b>LENS</b>               |  |  |  |  |
| Focal Length (Zoom Ratio) | 2.4mm  | 2.8mm  | 3.6mm  | 6mm  |
| Max. Aperture Ratio       | F2.0   | F2.0   | F2.0   | F2.0   |
| Angular Field of View     | H : 135.4°, V : 71.2°, D : 161.6°  | H : 107.4°, V : 62.2°, D : 122.0°  | H : 94.8°, V : 49.3°, D : 114.3°   | H : 50.4°, V : 28.8°, D : 58.1°  |
| Lens Type                 | Fixed focal  | Fixed focal  | Fixed focal  | Fixed focal  |
| Mount Type                | M12 Lens module with main unit   | M12 Lens module with main unit   | M12 Lens module with main unit   | M12 Lens module with main unit   |
| <b>PAN/TILT/ROTATE</b>    |  |  |  |  |
| Pan / Tilt / Rotate Range | -90°~+90° / 62° / -180°~+180°  | -90°~+90° / 40°~89° / -180°~+180°  | -90°~+90° / 37°~89° / -180°~+180°  | -90°~+90° / 30°~89° / -180°~+180°  |
| <b>MECHANICAL</b>         |  |  |  |  |
| Color / Material          | Black / Plastic  | Black / Plastic  | Black / Plastic  | Black / Plastic  |
| Dimension (W x H x D)     | Ø 35.5 x 35.9 mm (Ø 1.39" x 1.41")   | Ø 35.5 x 35.9 mm (Ø 1.39" x 1.41")   | Ø 35.5 x 35.9 mm (Ø 1.39" x 1.41")   | Ø 35.5 x 35.9 mm (Ø 1.39" x 1.41")   |
| Weight                    | 30g (0.07 lb)  | 30g (0.07 lb)  | 30g (0.07 lb)  | 30g (0.07 lb)  |

|                           | SLA-5M3700Q  | SLA-5M4600Q  | SLA-5M7000Q  |
|---------------------------|--|--|--|
| <b>VIDEO</b>              |  |  |  |
| Imaging Device            | 1 / 1.8" 5M CMOS   | 1 / 1.8" 5M CMOS   | 1 / 1.8" 5M CMOS   |
| Total Pixels              | 3096 (H) x 2094 (V)  | 3096 (H) x 2094 (V)  | 3096 (H) x 2094 (V)  |
| Effective Pixels          | 2616 (H) x 1976 (V)  | 2616 (H) x 1976 (V)  | 2616 (H) x 1976 (V)  |
| Scanning System           | Progressive scan   | Progressive scan   | Progressive scan   |
| Min. Illumination         | Color : 0.055 Lux (F2.0, 1 / 30sec, 30IRE)<br>B/W : 0.055 Lux (F2.0, 1 / 30sec, 30IRE) | Color : 0.16 Lux (F1.6, 1 / 30sec, 30IRE)<br>B/W : 0.16 Lux (F1.6, 1 / 30sec, 30IRE) | Color : 0.16 Lux (F1.6, 1 / 30sec, 30IRE)<br>B/W : 0.16 Lux (F1.6, 1 / 30sec, 30IRE) |
| S / N Ratio               | 50dB   | 50dB   | 50dB   |
| Wide Dynamic Range        | 120dB  | 120dB  | 120dB  |
| Day & Night               | Electrical   | Electrical   | Electrical   |
| <b>LENS</b>               |  |  |  |
| Focal Length (Zoom Ratio) | 3.7mm  | 4.6mm  | 7mm  |
| Max. Aperture Ratio       | F1.6   | F1.6   | F1.6   |
| Angular Field of View     | H : 97.5°, V : 71.9°, D : 126.2°   | H : 77.9°, V : 57.9°, D : 98.7°  | H : 50.7°, V : 37.8°, D : 63.8°  |
| Lens Type                 | Fixed focal  | Fixed focal  | Fixed focal  |
| Mount Type                | M12 Lens module with main unit   | M12 Lens module with main unit   | M12 Lens module with main unit   |
| <b>PAN/TILT/ROTATE</b>    |  |  |  |
| Pan / Tilt / Rotate Range | -90°~+90° / 59°~66° / -180°~+180°  | -90°~+90° / 50°~80° / -180°~+180°  | -90°~+90° / 40°~89° / -180°~+180°  |
| <b>MECHANICAL</b>         |  |  |  |
| Color / Material          | Black / Plastic  | Black / Plastic  | Black / Plastic  |
| Dimension (W x H x D)     | Ø 35.5 x 35.9 mm (Ø 1.39" x 1.41")   | Ø 35.5 x 35.9 mm (Ø 1.39" x 1.41")   | Ø 35.5 x 35.9 mm (Ø 1.39" x 1.41")   |
| Weight                    | 35g (0.08 lb)  | 35g (0.08 lb)  | 35g (0.08 lb)  |