



Network

BOX

TNB-9000

8K Box Camera



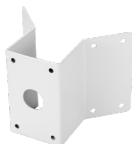
Key Features

- 43.3mm full-frame CMOS Image Sensor
- Max. 15fps@8K, 20fps@24MP, 30fps@15MP, 60fps@4K
- Compatible with Canon EF mount Lens
- Intelligent video analytics based on AI (Object detection/classification, Attribute, BestShot)
- HDMI (1080p 30fps) Video Output
- H.265/H.264 : Main/High, MJPEG
- Single Micro SD slot (Up to 256GB)
- WiseStream II support
- RJ-45, SFP slot(100/1000Mbps)
- HPoE(IEEE802.3bt, Class5), 12VDC

Compatible Accessories (Optional)



SHB-9000H



SBP-300KMW



SBP-300NBW

TNB-9000

8K Box Camera



Specifications

Video

| | |
|--------------------------|--|
| Imaging Device | Diagonal 43.3mm Full-frame CMOS |
| Resolution | 7680x4320, 7360x4128, 6016x3384, 6016x4008, 5472x3648, 4768x3184, 4608x2592, 3840x2160, 1920x1080, 1280x1024, 1280x960, 1280x720, 1024x768, 800x600, 800x448, 720x576, 720x480, 640x480, 640x360 |
| Max. Framerate | H.265/H.264: 32MP(8K) @ Max. 15fps (Mode 0) H.265/H.264: 24MP @ Max. 20fps (Mode 1) H.265/H.264: 15MP @ Max. 30fps (Mode 2) H.265/H.264: 8MP(4K) @ Max. 60fps (Mode 3) |
| Min. Illumination | Color : 0.015Lux(F1.4, 1/30sec) B/W : 0.0015Lux(F1.4, 1/30sec) |
| Video Out | HDMI: 1080p@30/25fps (60/50Hz) |

Lens

| | |
|------------------------------|--|
| Angular Field of View | Canon 24mm f1.4L, Auto-Iris (EF 24mm f/1.4L II USM) : Horizontal field of view: 8K 62.1° Canon 35mm f1.4L, Auto-Iris (EF 35mm f/1.4L II USM) : Horizontal field of view: 8K 44.5° Canon 50mm f1.4, Auto-Iris (EF 50mm f/1.4 USM) : Horizontal field of view: 8K 31.6° Canon 85mm f1.2L, Auto-Iris (EF 85mm f/1.2L II USM) : Horizontal field of view: 8K 19.2° Canon 100mm f2.0, Auto-Iris (EF 100mm f/2 USM) : Horizontal field of view: 8K 16.1° Canon 70-200mm f2.8L, Auto-Iris, Vari Focal (EF 70-200mm f/2.8L USM) : Horizontal field of view: 8K 23.2° ~ 8.3° |
| Focus Control | Simple focus |
| Lens Type | Canon EF mount Lens |
| Mount Type | Canon EF mount |
| Optional Lens | Canon 24mm f1.4L, Auto-Iris (EF 24mm f/1.4L II USM) Canon 35mm f1.4L, Auto-Iris (EF 35mm f/1.4L II USM) Canon 50mm f1.4, Auto-Iris (EF 50mm f/1.4 USM) Canon 85mm f1.2L, Auto-Iris (EF 85mm f/1.2L II USM) Canon 100mm f2.0, Auto-Iris (EF 100mm f/2 USM) Canon 70-200mm f2.8L, Auto-Iris, Vari Focal (EF 70-200mm f/2.8L USM) |

Operational

| | |
|---------------------------------|---|
| Camera Title | Displayed up to 75 characters |
| Day & Night | Auto(ICR) |
| Backlight Compensation | BLC, DWDR |
| Digital Noise Reduction | SSNR V |
| Motion Detection | 8ea, 8point polygonal zones (in 32MP(8K) resolution only) |
| Privacy Masking | 6ea, Rectangular - Color: Grey/Black/White |
| Gain Control | Low / Middle / High |
| White Balance | ATW / AWC / Manual / Indoor / Outdoor |
| Electronic Shutter Speed | Minimum / Maximum / Anti flicker (1/5 ~ 1/12,000sec) |
| Analytics | - Classified object type : Person/Face/Vehicle/License plate with attributes, BestShot per object - Analytics events based on AI engine : object detection, Directional detection, Enter/Exit, Loitering, Virtual line - Analytics events : Defocus detection, Motion detection, Appear/Disappear, Tampering, Audio detection, Sound classification |
| Serial Interface | RS-485(Samsung-T, Pelco-D/P) |
| Alarm I/O | Input 1ea / Output 1ea |
| Alarm Triggers | Analytics, Network disconnect, Alarm input |
| Alarm Events | File upload via FTP and e-mail Notification via e-mail SD/SDHC/SDXC or NAS recording at event triggers Alarm output Handover |

| | |
|------------------|--|
| Audio In | Selectable(mic in/line in) Supply voltage: 2.5VDC(4mA), Input impedance: 2K Ohm |
| Audio Out | Line out, Max.output level: 1Vrms |

Network

| | |
|--|---|
| Ethernet | Metal shielded RJ-45(10/100/1000 BASE-T), SFP slot(100/1000Mbps) |
| Video Compression | H.265/H.264: Main/High, MJPEG |
| Audio Compression | G.711 u-law /G.726 Selectable G.726(ADPCM) 8KHz, G.711 8KHz G.726: 16Kbps, 24Kbps, 32Kbps, 40Kbps AAC-LC: 48Kbps at 16KHz |
| Smart Codec | Manual(5ea area), WiseStream II |
| Bitrate Control | H.264/H.265: CBR or VBR MJPEG: VBR |
| Streaming | Unicast(6 users) / Multicast Multiple streaming(Up to 3 profiles) |
| Protocol | IPv4, IPv6, TCP/IP, UDP/IP, RTP(UDP), RTP(TCP), RTCP,RTSP, NTP, HTTP, HTTPS, SSL/TLS, DHCP, FTP, SMTP, ICMP, IGMP, SNMPv1/v2c/v3(MIB-2), ARP, DNS, DDNS, QoS, UPnP, Bonjour, LLDP |
| Security | HTTPS(SSL) Login Authentication Digest Login Authentication IP Address Filtering User access log 802.1X Authentication(EAP-TLS, EAP-LEAP) Device Certificate(Hanwha Techwin Root CA) |
| Application Programming Interface | ONVIF Profile S/G/T SUNAPI(HTTP API) |

General

| | |
|-------------------------|--|
| Webpage Language | English, Korean, Chinese, French, Italian, Spanish, German, Japanese, Russian, Swedish,, Portuguese, Czech, Polish, Turkish, Dutch, Hungarian, Greek |
| Edge Storage | Micro SD/SDHC/SDXC 1slot 256MB |
| Memory | 4096MB RAM, 512MB Flash |

Environmental & Electrical

| | |
|---|---|
| Operating Temperature / Humidity | 0°C ~ +45°C(32°F ~ +122°F) / Less than 90% RH |
| Storage Temperature / Humidity | -40°C ~ +65°C(-40°F ~ +140°F) / Less than 90% RH |
| Certification | Safety(UL 60950-1), EMC(FCC, CE, KC) EN 50130-4, EN 55032 Class A, EN 61000-6-3, EN 61000-3-2, EN 61000-3-3, EN 61000-6-1, FCC Part 15 Subpart B Class A, IC ICES-003 Class A |
| Input Voltage | HPoE(IEEE802.3bt, Class5), 12VDC |
| Power Consumption | PoE: Max 30W, typical 20W 12VDC: Max 26W, typical 18W |

Mechanical

| | |
|------------------------------------|--|
| Color / Material | Black / Aluminum |
| Product Dimensions / Weight | 120(W)x118.1(H)x179(D)mm, 2.1Kg(4.55 lb) |

TNB-9000

8K Box Camera

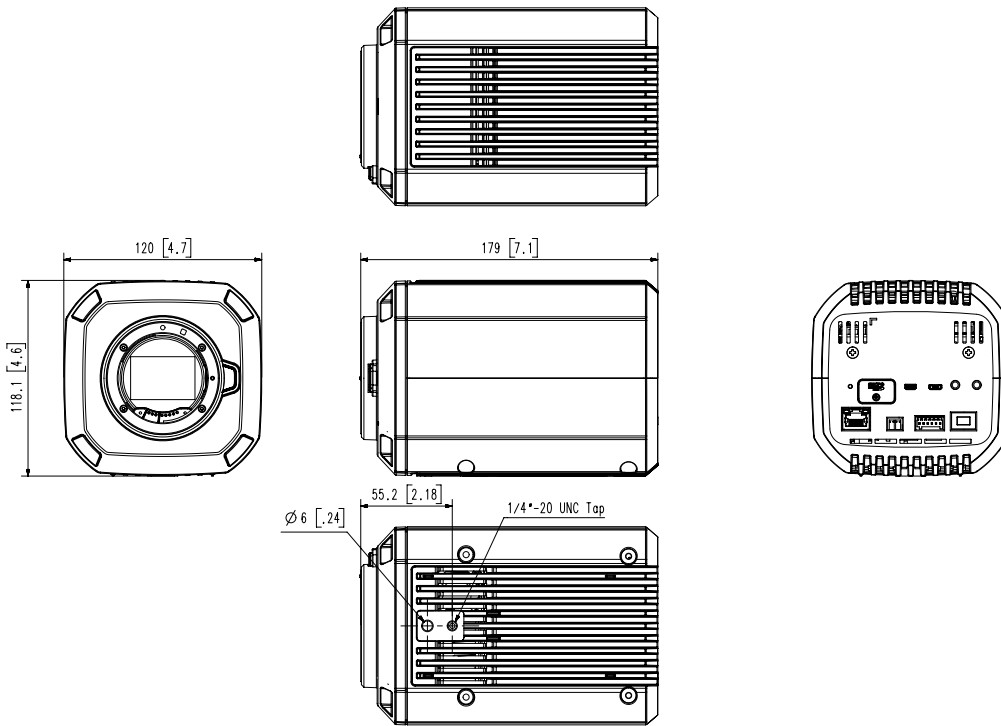


CAD

Unit: mm [inch]

This parts should not contain any substances which are specified in AH60-0033K

| NO | PART NAME | CODE NO. | MATERIAL | Q'TY | REMARK |
|----|---------------|----------|----------|------|--------|
| 1 | ASSY-TNB-9000 | 070610 | MATERIAL | 1 | REMARK |



| | | | | | | | |
|--------------|-------|-----|------------|----------|----------|------------|---------------|
| A3 CHANGE | UNIT | mm | DESIGN | CHECK | APPROVAL | PART NAME | ASSY-TNB-9000 |
| | | | M.Fujiwara | Check | Approval | MODEL NAME | TNB-9000 |
| | SCALE | 1/1 | 19.12.18 | 19.12.18 | 19.12.18 | CODE NO. | 070610 |
| | | | | | | | |

070610