

HCO-6080

2MP Analog Bullet Camera

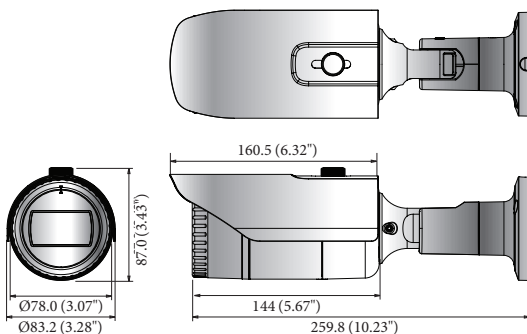


Key Features

- Full HD resolution
- 0.11 Lux@F1.6 (Color), 0.01 Lux@F1.6 (B/W)
- 3.2 ~ 10mm (3.1x) motorized V/F lens
- Day & Night (ICR), WDR (120dB)
- SSNRIV, Motion detection
- IP66, IK10
- Transmission distance max.500m
- Easy Installation (Plug & play), Dual power

Dimensions

Unit: mm (inch)



Accessories (Optional)



SBO-100B1



SBP-302PM

HCO-6080

VIDEO	
Imaging Device	1/2.8" 2MP CMOS
Effective Pixels	1,945(H) x 1,097(V)
Min. Illumination	Color: 0.11 Lux (F1.6, 1/30sec) B/W: 0.01 Lux (F1.6, 1/30sec)
Video Out	BNC (AHD / TVI / CVI / CVBS Selectable)
Resolution	1920 x 1080
Max. Framerate	25fps (PAL)
LENS	
Focal Length (Zoom Ratio)	3.2 ~ 10mm (3.1x) motorized varifocal
Max. Aperture Ratio	F1.6
Angular Field of View(H/V/D)	H: 110.2°(Wide) ~ 32°(Tele) / V: 55.4°(Wide) ~ 18°(Tele) / D: 128.4°(Wide) ~ 36.6°(Tele)
Min. Object Distance	0.5m (1.64ft)
Focus Control	Simple focus
Lens Type	DC auto Iris
Mount Type	Board-in Type
OPERATIONAL	
Camera Title	Displayed up to 15 characters
Day & Night	Auto (ICR) / Color / B/W
Backlight Compensation	Off / User BLC / HLC / WDR
Wide Dynamic Range	120dB
Digital Noise Reduction	SSNRIV
Defog	Auto / Manual / off
Motion Detection	4ea
Privacy Masking	8ea, rectangular zones
Gain Control	Off / Low / Middle / High / Very High
White Balance	ATW / AWC / Manual / Indoor / Outdoor
Electronic Shutter Speed	1 ~ 1/12,000sec
Video Rotation	OFF / H-Rev / V-Rev / HV-Rev
Analytics	Motion detection
Alarm I/O	MD output 1ea
Alarm Triggers	Analytics
Alarm Events	Alarm output
Coaxial Protocol	ACP (AHD Coax Protocol), TCP (TVI Coax Protocol), CCP (CVI Coax Protocol) CVBS: Pelco-C(Coaxitron)
Video Transmission Distance	500m (5C2V Coaxial Cable)
ENVIRONMENTAL	
Operating Temperature / Humidity	-30°C ~ +55°C(-22°F ~ +131°F) / Less than 90% RH
Certification	IP66, IK10, CE
ELECTRICAL	
Input Voltage	24VAC, 12VDC
Power Consumption	24VAC: Max 5 W, Typical 2.1 W 12VDC: Max 4.9 W, Typical 1.9 W
MECHANICAL	
Color / Material	Dark grey / Aluminum
Product dimension / weight	$\varnothing 78.0 \times 259.8$ mm (3.07x10.23"), 939g(2.05 lb), Without sunshield

* The latest product information / specification can be found at hanwha-security.com

* Design and specifications are subject to change without notice.

* Wisenet is the proprietary brand of Hanwha Techwin, formerly known as Samsung Techwin.