



PND-A6081RV

2MP Network AI IR Dome Camera

Benefits

- AI cameras with Object Detection - person, face, vehicle and license plate
- Filter motion events to only the relevant information, smaller, more relevant event lists
- Intelligent Video Analytics (IVA) including: Virtual Line, Virtual Area including: Intrusion, Enter, Exit, Appear and Loitering
- Social Distancing Detection for determining space in crowds Face Mask Detection to alert on event of person wearing/not wearing mask
- 2Mpix ideal for smaller spaces that don't require ultra high resolution
- AI detection for smaller applications at a lower cost than 4K
- Full range of shapes for any application

PND-A6081RV

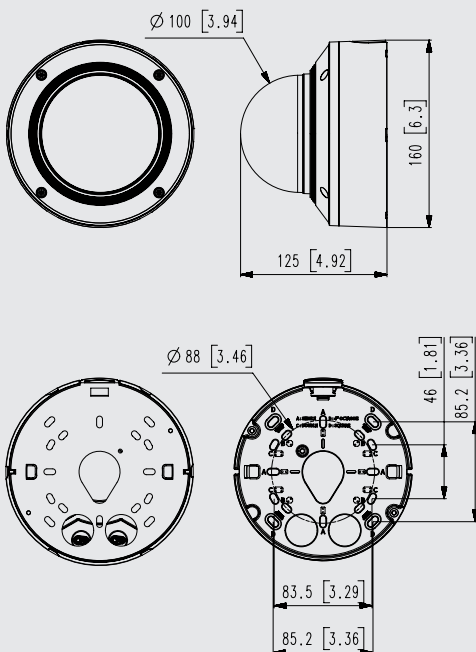
| PND-A6081RV | |
|-----------------------------|---|
| VIDEO | |
| Imaging Device | 1/2" CMOS |
| Resolution | 1920x1080, 1280x1024, 1280x960, 1280x720, 1024x768, 800x600, 800x448, 720x576, 720x480, 640x480, 640x360 |
| Max. Framerate | H.265/H.264: Max. 60/50fps(60Hz/50Hz, AI analytics on), Max. 120/100fps(60Hz/50Hz, AI analytics off) MJPEG: Max. 15fps/12fps(60Hz/50Hz) |
| Min. Illumination | Colour: 0.007Lux(F1.3, 1/30sec, 30IRE) B/W : 0.0007Lux(F1.3, 1/30sec, 30IRE), 0Lux(IR LED on), 30/25fps Colour: 0.014Lux(F1.3, 1/60sec, 30IRE) B/W : 0.0014Lux(F1.3, 1/60sec, 30IRE), 0Lux(IR LED on), 60/50fps Colour: 0.028Lux(F1.3, 1/120sec, 30IRE) B/W : 0.0028Lux(F1.3, 1/120sec, 30IRE), 0Lux(IR LED on), 120/100fps |
| Video Out | CVBS: 1.0 Vp-p / 75Ω composite, 720x480(N), 720x576(P) for installation USB: Micro USB Type B, 1280x720 for installation |
| LENS | |
| Focal Length (Zoom Ratio) | 4.38~9.33mm(2.13x) motorized varifocal |
| Max. Aperture Ratio | F1.3(Wide)~F2.15(Tele) |
| Angular Field of View | H:103.1°(Wide)~44.5°(Tele) / V:54.2°(Wide)~24.9°(Tele) / D:124°(Wide)~51.1°(Tele) |
| Min. Object Distance | 0.5m(1.64ft) |
| Focus Control | Simple focus |
| Lens Type | P iris |
| PAN / TILT / ROTATE | |
| Pan / Tilt / Rotate Range | 0°~360° / -45°~85° / 0°~355° |
| OPERATIONAL | |
| Camera Title | Displayed up to 85 characters |
| Day & Night | Auto(ICR) |
| Backlight Compensation | BLC, WDR, SSSDR |
| Wide Dynamic Range | 120dB |
| Digital Noise Reduction | SSNR, WiseNR II (using AI engine) |
| Digital Image Stabilization | Stabilization Support(built-in gyro sensor) |
| Motion Detection | 8ea, polygonal zones |
| Privacy Masking | 6ea, rectangle zones - Colour: Gray/Green/Red/Blue/Black/White |
| Gain Control | Low / Middle / High |
| White Balance | ATW / AWC / Manual / Indoor / Outdoor |
| LDC | Support |
| Electronic Shutter Speed | Minimum / Maximum / Anti flicker (1/5~1/12,000sec) Auto prefer shutter control based on AI engine |
| Video Rotation | Flip, Mirror, Hallway view(90°/270°) |
| Analytics | - Classified object type : Person/Face/Vehicle/License plate with attributes, BestShot per object - Analytics events based on AI engine : Object detection, Face mask detection, Directional detection, Digital auto tracking, Enter/Exit, Loitering, Virtual line, Social distancing detection - Analytics events : Defocus detection, Motion detection, Appear/Disappear, Tampering, Audio detection, Sound classification, Shock detection |
| Business Intelligence | People counting, Queue management, Heatmap based on AI engine |
| Alarm I/O | Input 1ea / Output 1ea / DC 12V Power(Max. 50mA) 1ea |
| Alarm Triggers | Analytics, Network disconnect, Alarm input |
| Alarm Events | File upload via FTP and e-mail / Notification via e-mail / SD/SDHC/SDXC or NAS recording at event triggers / Alarm output / Handover / Audio playback |
| Audio In | Selectable(mic in/line in/built-in mic) Supply voltage: 2.5VDC(4mA), Input impedance: 2K Ohm |
| Audio Out | Line out, Max.output level: 1Vrms |
| IR Viewable Length | 40m(131.23ft), Wise IR |

Key Features

- Max. 2MP resolution, Up to 120fps
- 0.007Lux@F1.3, 1/30sec. (Colour), 0Lux (B/W, IR LED on)
- Day & Night (ICR), WDR (120dB), WiseNR II (Using AI engine)
- H.265, H.264, MJPEG, WiseStream II, WiseStream III (Using AI engine)
- Video Analytics based on AI - Object detection and classification (Person, Face, Vehicle, License Plate) - Face mask detection, Social distancing detection - Attribute, BestShot
- TPM with FIPS 140-2 level2, Secure boot, Verify firmware forgery
- System compatibility - SSM v2.10.8 or later, Genetec plugin v1.0 or later, Milestone plugin v1.0.2 or later, NVR model (XRN-6410DB4/B4, XRN-3210B4)
- Hard-coated dome bubble, IP52, IK10

Dimensions

Unit:mm(inch)



PND-A6081RV

| NETWORK | |
|---|---|
| Ethernet | Metal shielded RJ-45(10/100/1000 BASE-T) |
| Video Compression | H.265/H.264: Main/High, MJPEG |
| Audio Compression | G.711 u-law /G.726 Selectable G.726(ADPCM) 8KHz, G.711 8KHz G.726: 16Kbps, 24Kbps, 32Kbps, 40Kbps AAC-LC: 48Kbps at 16KHz |
| Smart Codec | Manual(Sea area), WiseStream II, WiseStream III (using AI engine) |
| Bitrate Control | H.264/H.265: CBR or VBR MJPEG: VBR |
| Streaming | Unicast(6 users) / Multicast Multiple streaming(Up to 5 profiles) |
| Protocol | IPv4, IPv6, TCP/IP, UDP/IP, RTP(UDP), RTP(TCP), RTCP,RTSP, NTP, HTTP, HTTPS, SSL/TLS, DHCP, FTP, SMTP, ICMP, IGMP, SNMPv1/v2c/v3(MIB-2), ARP, DNS, DDNS, QoS, UPnP, Bonjour, LLDP, SRTT (TCP, UDP Unicast) |
| Security | HTTPS(SSL) Login Authentication Digest Login Authentication IP Address Filtering User access log 802.1X Authentication(EAP-TLS, EAP-LEAP) Device Certificate(Hanwha Techwin Root CA) TPM with FIPS 140-2 level2 Secure boot, Verify firmware forgery |
| API (Application Programming Interface) | ONVIF Profile S/G/T SUNAPI(HTTP API) Wisenet open platform |

| GENERAL | |
|------------------|---|
| Webpage Language | English, French, German, Spanish, Italian, Chinese, Korean, Russian, Japanese, Swedish, Portuguese, Czech, Polish, Turkish, Dutch, Hungarian, Greek |
| Edge Storage | Micro SD/SDHC/SDXC 2slots 512GB |
| Memory | 4096MB RAM, 512MB Flash |

| ENVIRONMENTAL & ELECTRICAL | |
|----------------------------------|---|
| Operating Temperature / Humidity | -25°C ~ +50°C (-13°F ~ +122°F) / Less than 90% RH |
| Storage Temperature / Humidity | -50°C ~ +60°C(-58°F ~ +140°F) / Less than 90% RH |
| Certification | IP52, IK10 |
| Input Voltage | PoE+(IEEE802.3at), 12VDC |
| Power Consumption | PoE+: Max 19.50W, typical 16.00W 12VDC: Max 17.00W, typical 13.50W |

| MECHANICAL | |
|-----------------------------|---|
| Colour / Material | White / Aluminum, Hard-coated dome bubble |
| RAL Code | RAL9003 |
| Product Dimensions / Weight | $\varnothing 160 \times 125 \text{mm}$ (6.30x4.92"), Weight : 1.60Kg (3.53lb) |

| DORI | |
|---------------------------|--|
| Detect (25PPM/ 8PPF) | Wide: 62.9m(206.34ft) / Tele: 183m(600.33ft) |
| Observe (63PPM/ 19PPF) | Wide: 25.1m(82.34ft) / Tele: 73.3m(240.46ft) |
| Recognize (125PPM/ 38PPF) | Wide: 12.6m(41.33ft) / Tele: 36.6m(120.07ft) |
| Identify (250PPM/ 76PPF) | Wide: 6.3m(20.67ft) / Tele: 18.3m(60.03ft) |

* The latest product information / specification can be found at www.hanwha-security.eu

* Design and specifications are subject to change without notice.

* Wisenet is the proprietary brand of Hanwha Techwin.