



Network

PTZ

XNP-6371RH

2M H.265 37x IR PTZ Camera



Key Features

- Max. 2megapixel (1920 x 1080) resolution
- 6~ 222mm (Optical 37x) lens
- 0.01Lux@F1.5 (Color), 0Lux (B/W, IR LED on)
- Max. IR viewable length : 350m (1,148ft)
- Day & Night (ICR), WDR (150dB)
- DIS & Shock detection with built-in gyro sensor
- Intelligent Video / Audio Analytics, Defog
- H.265, H.264, MJPEG codec support
- Multiple streaming, WiseStream II support
- SD / SDHC / SDXC memory 1 slot (Up to 256 GB)
- IP66, IK10

*Available in Hanwha Techwin Middle east and Africa Only - XNP-6371RH/KME

Compatible Accessories (Optional)



SBP-303HF



SBP-300WM1



SBP-300WM



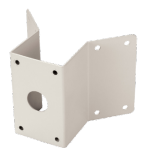
SBP-300PM



SBP-300CM



SBP-300LM



SBP-300KM



SBP-300NB



SBP-300B

XNP-6371RH

2M H.265 37x IR PTZ Camera

Specifications

Video

Imaging Device	1/2" 2MP CMOS
Resolution	1920x1080, 1280x1024, 1280x960, 1280x720, 1024x768, 800x600, 800x448, 720x576, 720x480, 640x480, 640x360, 320x240
Max. Framerate	H.265/H.264: Max. 60fps/50fps(60Hz/50Hz) MJPEG: Max. 30fps/25fps(60Hz/50Hz)
Min. Illumination	Color: 0.01Lux(F1.5, 1/30sec) BW: 0Lux(IR LED)
Video Out	CVBS: 1.0 Vp-p / 75Ω composite, 720x480(N), 720x576(P) for installation

Lens

Focal Length (Zoom Ratio)	6~222mm(37x) zoom
Max. Aperture Ratio	F1.5(Wide)~F4.6(Tele)
Angular Field of View	H: 59.3°(Wide)~1.9°(Tele) / V: 35.8°(Wide)~1.1°(Tele)
Min. Object Distance	1.5m(3.28ft)
Focus Control	Oneshot AF
Lens Type	DC auto iris

Pan / Tilt / Rotate

Pan Range	360° Endless
Pan Speed	Preset: 400°/sec, Manual: 0.024°/sec ~ 250°/sec
Tilt Range	190°(-5°~185°)
Tilt Speed	Preset: 300°/sec, Manual: 0.024°/sec ~ 250°/sec
Sequence	Preset(300ea), Swing, Group(6ea), Trace, Tour, Auto Run, Schedule
Preset Accuracy	±0.2°

Operational

Camera Title	Displayed up to 85 characters
Day & Night	Auto(ICR)
Backlight Compensation	BLC, HLC, WDR, SSSDR
Wide Dynamic Range	150dB
Digital Noise Reduction	SSNR V
Digital Image Stabilization	Support(built-in gyro sensor)
Defog	Support
Motion Detection	8ea, rectangular zones
Privacy Masking	24ea, rectangular zones - Color: Grey/Green/Red/Blue/Black/White - Mosaic
Gain Control	Low / Middle / High
White Balance	ATW / AWC / Manual / Indoor / Outdoor
Electronic Shutter Speed	Minimum / Maximum / Anti flicker (2~1/12,000sec)
Video Rotation	Flip, Mirror
Analytics	Defocus detection, Directional detection, Fog detection, Face detection, Motion detection, Digital auto tracking, Appear/Disappear, Enter/Exit, Loitering, Tampering, Virtual line, Audio detection, Sound classification, Shock detection
Serial Interface	RS-485(Samsung-T, Pelco-D/P, Panasonic, Bosch, AD, GE, Vicon, Honeywell)
Alarm I/O	Input 4ea / Output 2ea
Alarm Triggers	Analytics, Network disconnect, Alarm input

Alarm Events	File upload via FTP and e-mail Notification via e-mail SD/SDHC/SDXC or NAS recording at event triggers Alarm output PTZ Preset
Audio In	Selectable(mic in/line in) Supply voltage: 2.5VDC(4mA), Input impedance: 2K Ohm
Audio Out	Line out, Max.output level: 1Vrms
IR Viewable Length	350m(1,148.29ft)
Auto Tracking	Support

Network

Ethernet	RJ-45(10/100BASE-T), SFP(Optional)
Video Compression	H.265/H.264: Main/Baseline/High, MJPEG
Audio Compression	G.711 u-law /G.726 Selectable G.726(ADPCM) 8KHz, G.711 8KHz G.726: 16Kbps, 24Kbps, 32Kbps, 40Kbps AAC-LC: 48Kbps at 16KHz
Smart Codec	Manual(5ea area), WiseStream II
Bitrate Control	H.264/H.265: CBR or VBR MJPEG: VBR
Streaming	Unicast(20 users) / Multicast Multiple streaming (Up to 10 profiles)
Protocol	IPv4, IPv6, TCP/IP, UDP/IP, RTP(UDP), RTP(TCP), RTCP,RTSP, NTP, HTTP, HTTPS, SSL/TLS, DHCP, FTP, SMTP, ICMP, IGMP, SNMPv1/v2c/v3(MIB-2), ARP, DNS, DDNS, QoS, PIM-SM, UPnP, Bonjour, SRTP, LLDP
Security	HTTPS(SSL) Login Authentication Digest Login Authentication IP Address Filtering User access log 802.1X Authentication(EAP-TLS, EAP-LEAP)
Application Programming Interface	ONVIF Profile S/G/T SUNAPI(HTTP API) Wisenet open platform

General

Webpage Language	English, Korean, Chinese, French, Italian, Spanish, German, Japanese, Russian, Swedish,, Portuguese, Czech, Polish, Turkish, Dutch, Hungarian, Greek
Web Viewer	Support OS: Windows 7, 8.1, 10, Mac OS X 10.10, 10.11, 10.12 Recommended browser : Google Chrome Supported browser: MS Explore11, MS Edge, Mozilla Firefox(Window 64bit only), Apple Safari (Mac OS X only)
Edge Storage	SD/SDHC/SDXC 1slot 256GB
Memory	1024MB RAM, 256MB Flash

Environmental & Electrical

Operating Temperature / Humidity	-50°C~+55°C (-122°F~+131°F) / Less than 90% RH
Storage Temperature / Humidity	-50°C~+60°C (-122°F~+140°F) / Less than 90% RH
Certification	IP66, IK10
Input Voltage	24VAC
Power Consumption	24VAC: Max 90W

Mechanical

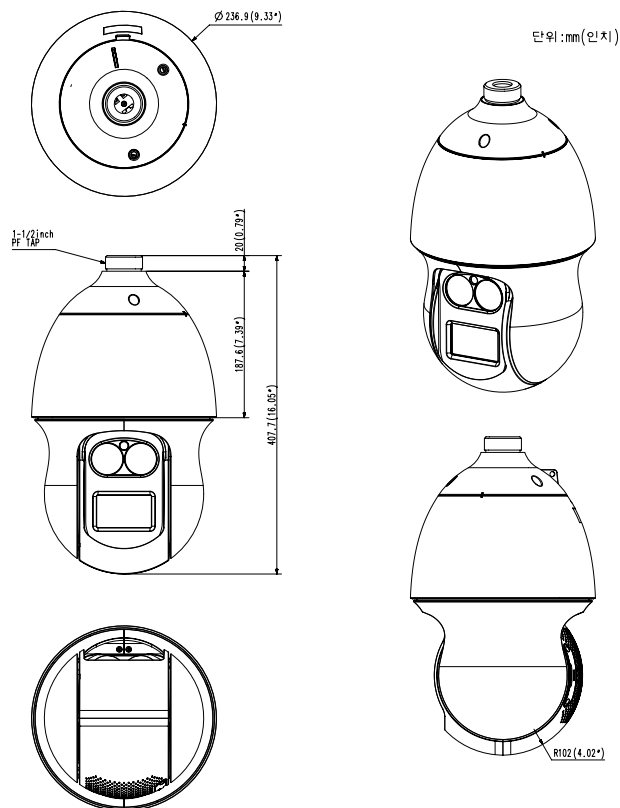
Color / Material	Body: Ivory / Plastic, Head: Black / Plastic
Product Dimensions / Weight	Ø236.9x407.7mm(9.33x16.05"), 7.1Kg(15.65 lb)
Hanging Mount (Dome)	SBP-303HF(SFP)

XNP-6371RH

2M H.265 37x IR PTZ Camera

CAD

Unit: mm [inch]



XNP-6371RH

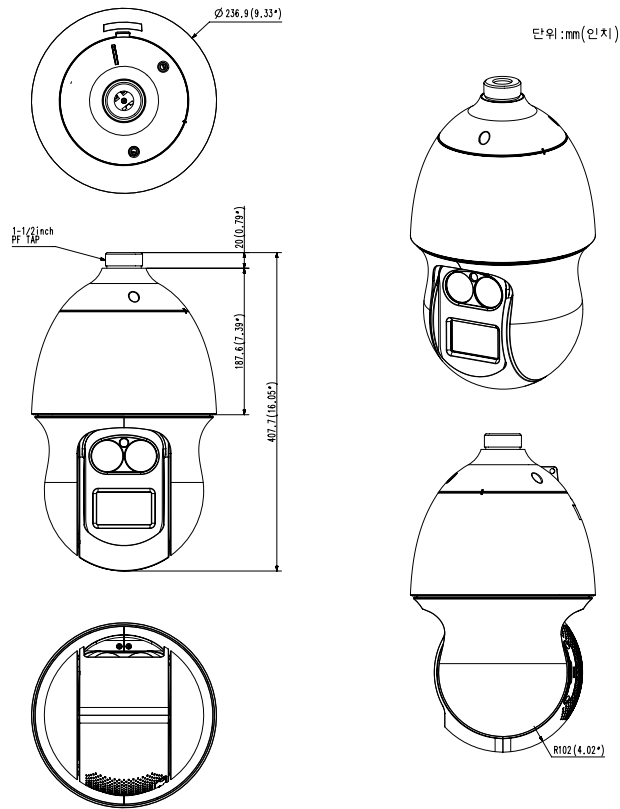
2M H.265 37x IR PTZ Camera

CAD

Unit: mm [inch]

This parts should not contain any substances which are specified in AMS-0095X

NO	PART NAME	CODE NO.	MATERIAL	Q'TY	REMARK
1	PNP-9200RH_Camera_Total_Assy	-	MATERIAL	1	REMARK



STANDARD TOLERANCE

DIV	M1	M2	M3	M4	M5
0-10	0.05	0.03	0.02	0.1	0.2
10-30	0.03	0.02	0.015	0.2	0.4
30-100	0.02	0.015	0.01	0.4	0.8
100-1000	0.015	0.01	0.008	0.8	1.6

A2 CHANGE

UNIT	MM	DESIGN	CHECK	APPROVAL	PART NAME	PNP-9200RH_Camera_Total_Assy
		Design	Check	Approval	MODEL NAME	PNP-9200RH
SCALE	1/1	15.08.01	15.08.01	15.08.01	CODE NO.	-
Hanwha Techwin						