



Network

PTZ

# XNP-6320H

2M H.265 32x PTZ Camera



## Key Features

- Max. 2MP (1920 x 1080) resolution
- H.265, H.264, MJPEG codec support
- Multiple streaming, WiseStreamII support
- Day & Night (ICR), WDR (150dB)
- DIS with Built-in Gyro sensor
- Auto tracking, Intelligent video analytics
- Memory slot (Max. 512GB)
- IP66, IK10

## Compatible Accessories (Optional)



SBP-303HF



SPB-PTZ7



SBP-390WM2



SBP-300WM1



SBP-300WM



SBP-300LM



SBP-300B



SBP-300CM



SBP-300NB



SBP-300KM



SBP-300PM



# XNP-6320H

2M H.265 32x PTZ Camera

## Specifications

### Video

Imaging Device	1/2.8" 2MP CMOS
Resolution	1920x1080, 1280x1024, 1280x960, 1280x720, 1024x768, 800x600, 800x448, 720x576, 720x480, 640x480, 640x360, 320x240
Max. Framerate	H.265/H.264: Max. 60fps/50fps(60Hz/50Hz) MJPEG: Max. 30fps/25fps(60Hz/50Hz)
Min. Illumination	Color: 0.05Lux(F1.6, 1/30sec) B/W: 0.005 Lux(F1.6, 1/30sec)
Video Out	CVBS: 1.0 Vp-p / 75Ω composite, 720x480(N), 720x576(P) for installation USB: Micro USB Type B, 1280x720 for installation

### Lens

Focal Length (Zoom Ratio)	4.44~142.6mm(32x) zoom
Max. Aperture Ratio	F1.6(Wide)~F4.4(Tele)
Angular Field of View	H: 61.8°(Wide)~2.19°(Tele) / V: 36.2°(Wide)~1.24°(Tele)
Min. Object Distance	Wide: 1.5m(4.92ft) / Tele: 2.0m(6.56ft)
Focus Control	Oneshot AF
Lens Type	DC auto iris

### Pan / Tilt / Rotate

Pan Range	360° Endless
Pan Speed	Preset: 700°/sec, Manual: 0.024°/sec~200°/sec
Tilt Range	210°(-15°~195°)
Tilt Speed	Preset: 700°/sec, Manual: 0.024°/sec~200°/sec
Sequence	Preset(300ea), Swing, Group(6ea), Trace, Tour(1ea), Auto Run, Schedule
Preset Accuracy	±0.2°

### Operational

Camera Title	Displayed up to 85 characters
Day & Night	Auto(ICR)
Backlight Compensation	BLC, HLC, WDR, SSSDR
Wide Dynamic Range	150dB
Digital Noise Reduction	SSNR V
Digital Image Stabilization	Support(built-in gyro sensor)
Defog	Support
Motion Detection	8ea, 8point polygonal zones
Privacy Masking	24ea, polygonal zones - Color: Grey/Green/Red/Blue/Black/White - Mosaic
Gain Control	Low / Middle / High
White Balance	ATW / AWC / Manual / Indoor / Outdoor
Electronic Shutter Speed	Minimum / Maximum / Anti flicker (2~1/12,000sec)
Video Rotation	Flip, Mirror
Analytics	Defocus detection, Directional detection, Fog detection, Face detection, Motion detection, Appear/Disappear, Enter/Exit, Loitering, Tampering, Virtual line, Audio detection, Sound classification, Shock detection
Serial Interface	RS-485(Samsung-T, Pelco-D/P, Panasonic, Bosch, AD, GE, Vicon, Honeywell)

<b>Alarm I/O</b>	Input 4ea / Output 2ea
<b>Alarm Triggers</b>	Analytics, Network disconnect, Alarm input
<b>Alarm Events</b>	File upload via FTP and e-mail Notification via e-mail SD/SDHC/SDXC or NAS recording at event triggers Alarm output PTZ Preset
<b>Audio In</b>	Selectable(mic in/line in) Supply voltage: 2.5VDC(4mA), Input impedance: 2K Ohm
<b>Audio Out</b>	Line out, Max.output level: 1Vrms
<b>Auto Tracking</b>	Support

## Network

<b>Ethernet</b>	RJ-45 (10/100BASE-T), SFP(Optional)
<b>Video Compression</b>	H.265/H.264: Main/Baseline/High, MJPEG
<b>Audio Compression</b>	G.711 u-law /G.726 Selectable G.726(ADPCM) 8KHz, G.711 8KHz G.726: 16Kbps, 24Kbps, 32Kbps, 40Kbps AAC-LC: 48Kbps at 16KHz
<b>Smart Codec</b>	Manual(5ea area), WiseStream II
<b>Bitrate Control</b>	H.264/H.265: CBR or VBR MJPEG: VBR
<b>Streaming</b>	Unicast(20 users) / Multicast Multiple streaming(Up to 10 profiles)
<b>Protocol</b>	IPv4, IPv6, TCP/IP, UDP/IP, RTP(UDP), RTP(TCP), RTCP,RTSP, NTP, HTTP, HTTPS, SSL/TLS, DHCP, FTP, SMTP, ICMP, IGMP, SNMPv1/v2c/v3(MIB-2), ARP, DNS, DDNS, QoS, PIM-SM, UPnP, Bonjour, SRTP(Unicast)
<b>Security</b>	HTTPS(SSL) Login Authentication Digest Login Authentication IP Address Filtering User access log 802.1X Authentication(EAP-TLS, EAP-LEAP)
<b>Application Programming Interface</b>	ONVIF Profile S/G SUNAPI(HTTP API) Wisenet open platform

## General

<b>Webpage Language</b>	English, Korean, Chinese, French, Italian, Spanish, German, Japanese, Russian, Swedish,, Portuguese, Czech, Polish, Turkish, Dutch, Hungarian, Greek
<b>Web Viewer</b>	Supported OS: Windows 7, 8.1, 10, Mac OS X 10.10, 10.11, 10.12 Recommended Browser: Google Chrome Supported Browser: MS Explore11, MS Edge, Mozilla Firefox(Window 64bit only), Apple Safari(Mac OS X only)
<b>Edge Storage</b>	Micro SD/SDHC/SDXC 2slot 512GB
<b>Memory</b>	1024MB RAM, 256MB Flash

## Environmental & Electrical

<b>Operating Temperature / Humidity</b>	24VAC: -50°C~+55°C(-58°F~+131°F) / Less than 90% RH PoE+: -35°C~+55°C(-31°F~+131°F) / Less than 90% RH
<b>Storage Temperature / Humidity</b>	-30°C~+60°C(-22°F ~ +140°F) / Less than 90% RH
<b>Certification</b>	IP66, IK10
<b>Input Voltage</b>	PoE+(IEEE802.3at, Class4), 24VAC
<b>Power Consumption</b>	24VAC: Max 65W

## Mechanical

<b>Color / Material</b>	Ivory / Plastic+Aluminum
<b>Product Dimensions / Weight</b>	Ø220x293.6mm(8.66x11.56"), 3.3Kg(7.28 lb)
<b>Hanging Mount (Dome)</b>	SBP-303HF(SFP)

# XNP-6320H

2M H.265 32x PTZ Camera

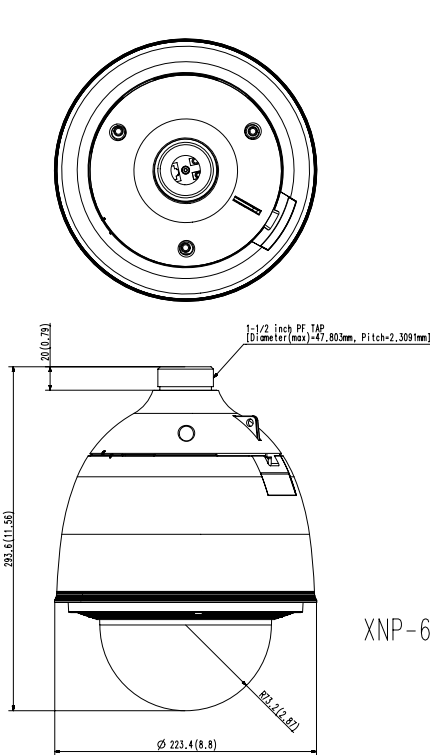


Unit: mm [inch]

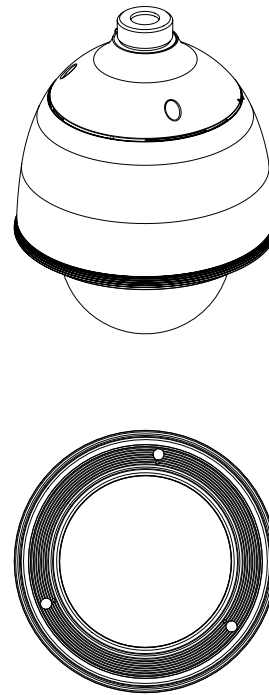
CAD

This parts should not contain any substances which are specified in AMS-0093X

NO	PART NAME	CODE NO.	MATERIAL	Q'TY	REMARK
1	XNP-6320H	011657	MATERIAL	1	REMARK



XNP-6320H / QNP-6230H  
Unit : mm(inch)



A2  
CHANGE

UNIT	MM	DESIGN	CHECK	APPROVAL	PART NAME	XNP-6320H
		Design	Check	Approval	MODEL NAME	MODEL NAME
SCALE	1/1	15.08.01	15.08.01	15.08.01	CODE NO.	011657
Hanwha Techwin					CODE NO.	011657