



## XNO-8082R

6MP Network IR Bullet Camera

### Benefits

- Perfect cameras for effective forensic search applications with clear and vivid images.
- Well contrasted and more detail-rich images, even in harsh lighting conditions, with 'extreme WDR'.
- Easier identification of objects and suspects in live video and during forensic review, thanks to advanced filters for motion and still areas to minimise motion blur and improve edge and colour definition.
- Reduced bandwidth and storage needs by up to 99% compared to current H.264 technology without sacrificing image quality, with WiseStream II technology combined with H.265 compression.
- Optimise security and safety economically, use advanced video and sound analytics completely license-free.
- Make sure your video is backed-up onboard the camera. Increase video recording resilience using the dual microSD slots to allow edge-based video recording in the event of network disruptions.

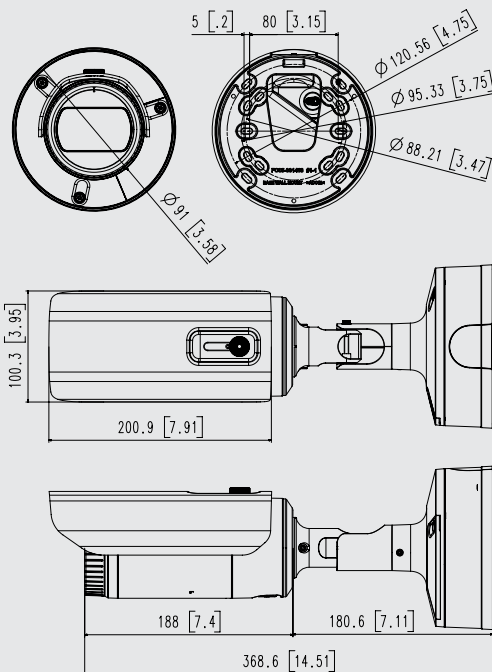
| XNO-8082R                   |  |
|-----------------------------|--|
| <b>VIDEO</b>                |  |
| Imaging Device              | 1/2.8"CMOS   |
| Min. Illumination           | Colour: 0.05Lux(F1.2, 1/30sec)<br>B/W: 0Lux(IR LED On)   |
| Video Out                   | CVBS: 1.0 Vp-p / 75Ω composite, 720x480(N), 720x576(P) for installation<br>USB: Micro USB Type B, 1280x720 for installation  |
| <b>LENS</b>                 |  |
| Focal Length (Zoom Ratio)   | 2.8~8.4mm(3x) motorized varifocal  |
| Max. Aperture Ratio         | F1.2(Wide)~F2.8(Tele)  |
| Angular Field of View       | H: 114°(Wide)~40.2°(Tele) / V: 62.0°(Wide)~22.5°(Tele) / D: 133.0°(Wide)~46.3°(Tele)   |
| Min. Object Distance        | 0.7m (2.23ft)  |
| Focus Control               | Simple focus   |
| Lens Type                   | DC Auto Iris, P iris   |
| <b>OPERATIONAL</b>          |  |
| IR Viewable Length          | 40m(131.23ft)  |
| Camera Title                | Displayed up to 85 characters  |
| Day & Night                 | Auto(ICR)  |
| Backlight Compensation      | BLC, HLC, WDR  |
| Wide Dynamic Range          | extremeWDR(120dB)  |
| Contrast Enhancement        | SSDR   |
| Digital Noise Reduction     | SSNRV  |
| Digital Image Stabilization | Support(built-in gyro sensor)  |
| Defog                       | Support  |
| Motion Detection            | 8ea, 8point Polygonal zones  |
| Privacy Masking             | 32ea, polygonal zones<br>- Colour : Gray, Green, Red, Blue, Black, White<br>- Mosaic   |
| Gain Control                | Support  |
| White Balance               | ATW / Narrow ATW / AWC / Manual / Indoor / Outdoor   |
| LDC                         | Support  |
| Electronic Shutter Speed    | Minimum / Maximum / Anti flicker (1/5~1/12,000sec)   |
| Video Rotation              | Flip, Mirror, Hallway view(90°/270°)   |
| Analytics                   | Defocus detection, Directional detection, Motion detection, Digital auto tracking, Appear/Disappear, Enter/Exit, Loitering, Tampering, Virtual line, Audio detection, Sound classification, Shock detection, Face/upper body detection |
| Business Intelligence       | People counting, Queue management, Heatmap   |
| Serial Interface            | RS-485(Samsung-T, Pelco-D/P, Panasonic, Bosch, AD, GE, Vicon, Honeywell)   |
| Alarm I/O                   | 2 configurable I/O ports   |
| Alarm Triggers              | Analytics, Network disconnect, Alarm input   |
| Alarm Events                | File upload via FTP and e-mail<br>Notification via e-mail<br>SD/SDHC/SDXC or NAS recording at event triggers<br>Alarm output<br>PTZ Preset<br>Handover<br>Audio playback   |
| Audio In                    | Selectable(mic in/line in)<br>Supply voltage: 2.5VDC(4mA), Input impedance: 2K Ohm   |
| Audio Out                   | Line out, Max.output level: 1Vrms  |

## Key Features

- 6MP resolution
- 2.8~8.4mm(3x) motorized varifocal
- 0.05Lux@F1.2 (Colour), 0Lux (B/W, IR LED on)
- Max.30fps@6MP (H.265/H.264)
- IR viewable length 40m
- Day & Night (ICR), extreme WDR
- DIS with built-in Gyro sensor
- Video Analytics(Defocus, Directional detection, Audio detection, Shock detection, Face/Upper body detection)
- Dual SD slots (Max. 512GB)
- Modular structure, PoE support
- IP66/IP67, IK10, NEMA4X

## Dimensions

Unit:mm(inch)



- \* The latest product information / specification can be found at [hanwha-security.com](http://hanwha-security.com)
- \* Design and specifications are subject to change without notice.
- \* Wisenet is the proprietary brand of Hanwha Techwin.

## XNO-8082R

| NETWORK                           |  |
|-----------------------------------|--|
| Ethernet                          | RJ-45(10/100/1000BASE-T)   |
| Video Compression                 | H.265/H.264: Main/High, MJPEG  |
| Resolution                        | 3328x1872,3072x1728, 2592x1944, 2688x1520, 1920x1080, 1600x1200, 1280x1024, 1280x960, 1280x720, 1024x768, 800x600, 800x448, 720x576, 720x480, 640x480, 640x360, 320x240  |
| Max. Framerate                    | H.265/H.264: Max. 30fps/25fps(60Hz/50Hz)<br>MJPEG: Max. 15fps/12fps(60Hz/50Hz)   |
| Smart Codec                       | Manual(Sea area), WiseStreamII   |
| Bitrate Control                   | H.264/H.265: CBR or VBR<br>MJPEG: VBR  |
| Streaming                         | Unicast(20 users) / Multicast<br>Multiple streaming(Up to 10 profiles)   |
| Audio Compression                 | G.711 u-law /G.726 Selectable<br>G.726(ADPCM) 8KHz, G.711 8KHz<br>G.726: 16Kbps, 24Kbps, 32Kbps, 40Kbps<br>AAC-LC: 48Kbps at 16KHz   |
| Protocol                          | IPv4, IPv6, TCP/IP, UDP/IP, RTP(UDP), RTP(TCP), RTCP,RTSP, NTP, HTTP, HTTPS, SSL/TLS, DHCP, FTP, SMTP, ICMP, IGMP, SNMPv1/v2c/v3(MIB-2), ARP, DNS, DDNS, QoS, UPnP, Bonjour, LLDP, SRTP (TCP, UDP Unicast)     |
| Security                          | HTTPS(SSL) Login Authentication<br>Digest Login Authentication<br>IP Address Filtering<br>User access log<br>802.1X Authentication(EAP-TLS, EAP-LEAP)<br>Device Certificate(Hanwha Techwin Root CA)            |
| Edge Storage                      | Micro SD/SDHC/SDXC 2slot 512GB(256Gx2)   |
| Application Programming Interface | ONVIF Profile S/G/T<br>SUNAPI(HTTP API)<br>Wisenet open platform   |
| Web Viewer                        | Supported OS: Windows 8.1 or later, Mac OS X 10.13 or later<br>Recommended Browser: Google Chrome<br>Supported Browser: MS Explore11, MS Edge, Mozilla Firefox(Window 64bit only), Apple Safari(Mac OS X only) |
| Memory                            | 4GB RAM, 512MB Flash   |
| ENVIRONMENTAL                     |  |
| Operating Temperature / Humidity  | -50°C~+60°C(-58°F ~ +140°F) / Less than 95% RH (non condensing)<br>* Start up should be done at above -30°C  |
| Storage Temperature / Humidity    | -50°C ~ +60°C(-58°F ~ +140°F) / Less than 90% RH   |
| Certification                     | IP66/IP67, IK10, NEMA4X  |
| ELECTRICAL                        |  |
| Input Voltage                     | PoE(IEEE802.3af), 12VDC, 24VAC   |
| Power Consumption                 | PoE : typ 10.5W, max 12.95W<br>12VDC : typ 9.4W, max 12.5W<br>24VAC : typ 11.2W, max14.5W  |
| MECHANICAL                        |  |
| Colour / Material                 | Dark grey / Aluminum   |
| Product dimensions / weight       | $\phi 91 \times 368.6 \text{mm} (\phi 3.85" \times 14.51")$ , Weight : 2.2kg   |
| DORI                              |  |
| Detect (25PPM/ 8PPF)              | Wide: 49.9m(163.71ft) / Tele: 209.9m(688.65ft)   |
| Observe (63PPM/ 19PPF)            | Wide: 19.9m(65.29ft) / Tele: 83.9m(275.26ft)   |
| Recognize (125PPM/ 38PPF)         | Wide: 10.0m(32.80ft) / Tele: 42.0m(137.80ft)   |
| Identify (250PPM/ 76PPF)          | Wide: 5.0m(16.40ft) / Tele: 21.0m(68.90ft)   |