

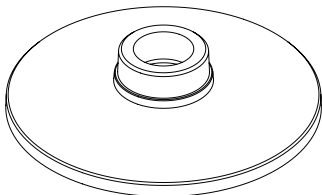
# **HANGING MOUNT ADAPTOR**

***SBP-167HMW***

***SBP-167HM***

## Package

---



HANGING MOUNT ADAPTOR



SCREW 4 EA

## Product Overview

---

### English

SBP-167HM is an adaptor that is used for installing Indoor Vandal Dome Camera to the Wall Mount Adaptor (SBP-300WMW or SBP-300WMW1) or Ceiling Mount Adaptor (SBP-300CMW). (For compatible models, please visit our website.)

### Français

SBP-167HM est un adaptateur utilisé pour installer la caméra du dôme anti-vandalisme intérieure à l'adaptateur de montage mural (SBP-300WMW ou SBP-300WMW1) ou à l'adaptateur de montage au plafond (SBP-300CMW). (Pour les modèles compatibles, veuillez consulter notre site Web.)

### Deutsch

SBP-167HM ist ein Adapter für die Montage der vandalensicheren Innenkuppel-Kamera an den Wandbefestigungs-Adapter (SBP-300WMW oder SBP-300WMW1) oder Deckenbefestigungs-Adapter (SBP-300CMW). (Für kompatible Modelle, siehe unsere Webseite.)

## Español

SBP-167HM es un adaptador que se utiliza para instalar la cámara domo antivandalismo interior al adaptador del montaje de pared (SBP-300WMW o SBP-300WMW1) o al adaptador del montaje de techo (SBP-300CMW). (Para ver modelos compatibles, visite nuestro sitio web.)

## Italiano

SBP-167HM è un adattatore che serve all'installazione della telecamera di sicurezza a cupola per interni all'adattatore per montaggio a parete (SBP-300WMW e SBP-300WMW1) o all'adattatore per montaggio a soffitto (SBP-300CMW). (Per i modelli compatibili, visitare il nostro sito web.)

## РУССКИЙ

SBP-167HM — это адаптер для установки антивандальной купольной видеокамеры в помещении с использованием адаптера настенного (SBP-300WMW или SBP-300WMW1) или потолочного крепления (SBP-300CMW). (Список совместимых моделей см. на веб-сайте Hanhwa.)

## Polski

SBP-167HM jest adapterem służącym do instalacji kamery z wewnętrzną kopułą wandalową do adaptera montażu ściennego (SBP-300WMW lub SBP-300WMW1) lub adaptera montażu sufitowego (SBP-300CMW). (Informacje dot. kompatybilnych modeli znaleźć można na naszej stronie internetowej)

## Türkçe

SBP-167HM, İç Mekan Vandal Dom Kamerayı Duvara Montaj Adaptörüne (SBP-300WMW veya SBP-300WMW1) ya da Tavana Montaj Adaptörüne (SBP-300CMW) takmak için kullanılan bir adaptördür. (Uyumlu modeller için, lütfen web sayfamızı ziyaret edin.)

## Česky

SBP-167HM je adaptér sloužící k instalaci interiérové bezpečnostní kopulovité kamery na montážní adaptér na zeď (SBP-300WMW nebo SBP-300WMW1) nebo stropní montážní adaptér (SBP-300CMW). (Informace o kompatibilních modelech naleznete na našem webu.)

## 日本語

SBP-167HMは、屋内ドーム型カメラを壁マウントアダプター(SBP-300WMWまたはSBP-300WMW1)または天井マウントアダプター(SBP-300CMW)に設置することに使用されるアダプターです(互換型名は当社のウェブサイト参照)。

## 中文

SBP-167HM是用于将室内防暴半球摄像机安装到壁挂安装架适配器(SBP-300WMW或SBP-300WMW1)或天花板安装架适配器(SBP-300CMW)上的一种适配器。(有关兼容型号,请访问我们的网站。)

## 한국어

SBP-167HM은 Indoor Vandal Dome 카메라를 벽부형마운트 어댑터(SBP-300WMW 또는 SBP-300WMW1) 또는 천장형마운트 어댑터(SBP-300CMW)에 설치하는 데 사용되는 어댑터입니다(호환 모델은 당사 웹 사이트 참조).

## Installation Precautions

---

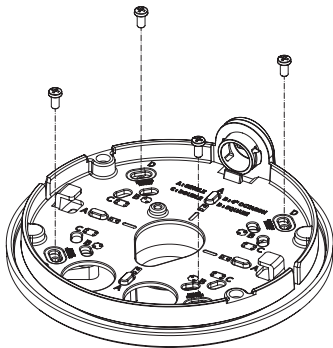
Make sure that the installation place can endure at least 4 times of the total weight of the Hanging Mount Adaptor, Camera, and Wall/Ceiling/Parapet Mount Adaptor.

The Hanging Mount Adaptor can be also connected to 1.5" PF screw-thread pipe as well as to the Wall/Ceiling/Parapet Mount Adaptor.

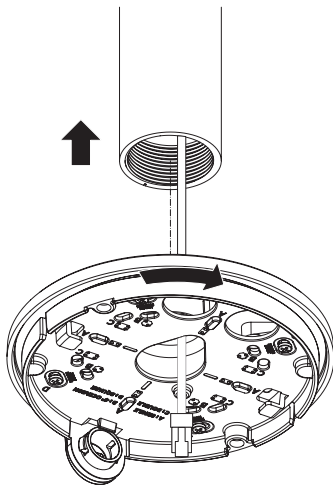
## Installation

---

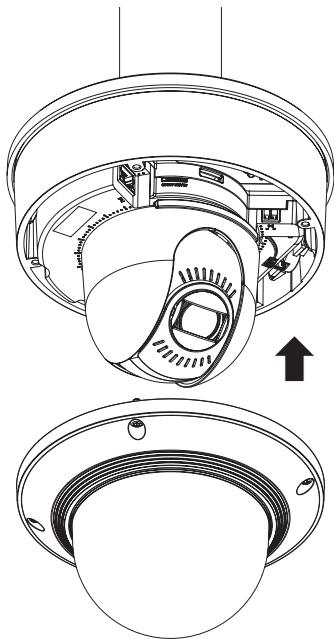
- 1 Install the Mount Plate of camera onto the Hanging Mount Adaptor.



- 2 Install the Hanging Mount Adaptor assembly to 1.5" PF screw-thread (female) pipe or to the Wall/Ceiling/Parapet Mount Adaptor and turn it clockwise to secure to the Pipe or Adaptor.
- !**
- Make sure you fix the Pipe or Adaptor so that it reaches to the end of the 1.5" PF screw thread on the Hanging Mount Adaptor. If not secured tightly, the Hanging Mount Adaptor may loosen from the Pipe or Adaptor, causing physical damage or malfunction. (Make sure you check the connection between two components before proceeding with the next step.)
  - Make sure all cables are pulled through the hole of Mount Plate.



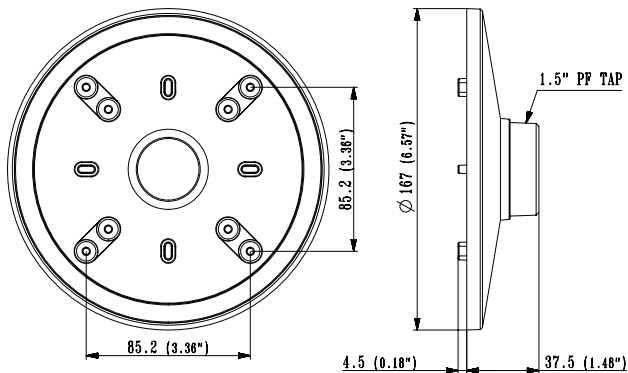
- 3** Install the Case Body, Camera Module and Dome Cover according to Camera User-manual.



## Product Specifications

Model	SBP-167HMW	SBP-167HM
Weight	350 g	350 g
Material	Aluminum	Aluminum
Color	White	Ivory
Operating Temperature	-50°C ~ +60°C (-58°F ~ +140°F)	-50°C ~ +60°C (-58°F ~ +140°F)
Operating Humidity	0-90%	0-90%

Unit : mm (inch)



---

**Head Office**

6, Pangyo-ro 319 beon-gil, Bundang-gu, Seongnam-si,  
Gyeonggi-do, 463-400 Rep. of KOREA  
Tel : +82.70.7147.8753 Fax : +82.31.8018.3740  
<http://hanwha-security.com>

---

**Hanwha Techwin America**

500 Frank W. Burr Blvd. Suite 43 Teaneck, NJ 07666  
Toll Free : +1.877.213.1222 Direct : +1.201.325.6920  
Fax : +1.201.373.0124  
[www.hanwhasecurity.com](http://www.hanwhasecurity.com)

---

**Hanwha Techwin Europe**

Heriot House, Heriot Road, Chertsey, Surrey, KT16 9DT, United Kingdom  
Tel : +44.1932.57.8100 Fax : +44.1932.57.8101  
[www.hanwha-security.eu](http://www.hanwha-security.eu)

---

**Hanwha Techwin(Tianjin) Co.Ltd**

No.11, Weiliu Rd., Micro-Electronic Industrial Park, Jingang Road Tianjin 300385, China  
Tel : +86.22.2388.7788  
[www.hanwha-security.cn](http://www.hanwha-security.cn)

---

**Hanwha Techwin Middle East FZE**

JAFZA View 18, 20th floor, office 2001, 2002, 2003, Downtown Jebel Ali,  
Dubai, United Arab Emirates  
<http://hanwha-security.com>

---