



Network

PTZ

TNP-A9430RWB

8MP AI Ruggedized PTZ Camera



Key Features

- 8MP Image Resolution
- 43x Optical Zoom
- 50°~90° Tilt Range
- 500m IR Length
- Powered by Wisenet 9 SoC (Dual NPU)
- Black Variant
- 6.1~262.4mm focal length
- EPA (Effective Projected Area) - 0.095 m²
- FoV – H: 62.5° V: 38.42 D: 70.34°
- Wind load max 160 MPH
- AI Based Analytics, BestShot support
- Digital Image Stabilization
- IP66, IP68, NEMA4X rated

Compatible Devices



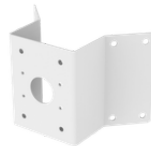
SBP-004PBB



SBP-004WMB



SBP-150PMW



SBP-156KMW



SPP-K004EP



SPP-C00402EP



SPP-C00405EP



SPP-C00410EP

TNP-A9430RWB

8MP AI Ruggedized PTZ Camera



Specifications

Video

Imaging Device	Size	1/1.8"
	Type	CMOS
Resolution	3840x2160, 2592x1944, 2592x1464, 1920x1080, 1600x1200, 1280x1024, 1280x960, 1280x720, 1024x768, 800x600, 800x448, 720x576, 720x480, 640x480, 640x360, 320x240	
Max. Framerate	H.265/H.264	30fps/25fps(60Hz/50Hz)
	MJPEG	30fps(@8MP Max. 5fps)
Min. Illumination (Lux)	Color(1/30sec, 30IRE)	0.06 Lux(F1.69, 1/30sec, 30 IRE)
	BW(1/30sec, 30IRE)	0.006 Lux(F1.69, IR LED Off), 0Lux (IR LED On)

Lens

Focal Length (mm)	6.1~262.4	
Zoom Ratio	Optical	43
	Digital	1367
Max Aperture Ratio (F number)	Wide	F1.69
	Tele	F4.92
Angular Field of View	Horizontal	63.62°(Wide)~1.77°(Tele)
	Vertical	37.69°(Wide)~0.99°(Tele)
	Diagonal	70.9°(Wide)~2.05°(Tele)
Min. Object Distance	5m(16.4ft)	
Focus Control	Auto, Manual, Oneshot AF, Focus save	
Lens Type	P iris(IR corrected)	

Pan / Tilt / Rotate

Pan / Tilt / Rotate Range	Pan	360° Endless
	Tilt	Upright: 140°(50°~90°), Canted: 165°(75°~90°), Inverted: 140°(90°~50°)
Pan Speed	Preset	Max. 160°/sec
	Manual	0.024°/sec~160°/sec

Pan / Tilt / Rotate

Tilt Speed	Preset	Max. 160°/sec
	Manual	0.024°/sec~160°/sec
Sequence	Preset(300ea), Swing, Group(6ea), Trace, Tour, Auto Run, Schedule	
Preset Accuracy	±0.07°	

Operational

Direction Indicator	Support	
Day & Night	Auto(ICR)	
Backlight Compensation	BLC, HLC, WDR, SSSDR	
Wide Dynamic Range (dB)	120	
Digital Noise Reduction	WiseNR II (Based on AI engine), SSNR V	
Digital Image Stabilization	Support(built-in gyro sensor)	
Optical Image Stabilization	Support	
Defog	Support	
Motion Detection	Quantity	8ea
	Shape	8point Polygonal zones
Privacy Masking	Quantity	32ea
	Shape	4point Quadrangle zones
	Color / Option	Gray, Green, Red, Blue, Black, White, Mosaic
	Dynamic Privacy Masking: Color / Option	Gray, Green, Red, Blue, Black, White, Mosaic, Purple, Yellow
Gain Control	Off, Max gain, Manual	
White Balance	ATW, NarrowATW, AWC, Manual, Indoor, Outdoor, Mercury, Sodium	
Electronic Shutter	Mode	Minimum, Maximum, Anti flicker, Prefer shutter control(Based on AI engine)
	Speed Range	2~1/30,000sec
Video Rotation	Flip&Mirror	
Installation Direction	Upright, Inverted, Canted	
Alarm Interface	Others	Support alarm I/O via optional I/O box
Alarm Triggers	Analytics, Network disconnect, Alarm input, Time schedule, MQTT subscription	
Alarm Events When Alarm Trigger Occurred	File upload(image): e-mail/FTP, File upload(video clip): FTP/SFTP, Notification: e-mail, Recording: SD/SDHC/SDXC or NAS recording at event triggers,Alarm output, Handover: PTZ preset,send message by HTTP/HTTPS/TCP,Audio clip playback, MQTT: publication	
Audio In	Support via optional I/O box	
Audio Out	Support via optional I/O box	
Light Type	IR LED	
Light Viewable Length	IR	500m(1,640.42ft)

Operational

IR Wavelength	850nm
Water Removal	Support(with Wiper)
Ice Removal	Window, Pan
Auto Tracking	Support, Object auto tracking(Person/Vehicle), Target lock tracking

Analytics

Classified Object Type	Person, Face, Vehicle, License plate	
Attributes	Person	Upper/Lower clothes color, Gender, Bag
	Vehicle	Type(car, bus, truck, motorcycle, bicycle), Color
	Face	Age, Gender, Face mask, Glasses
Thumbnail	BestShot	
Analytics Events	Based on AI Engine	Object detection, Virtual line(Crossing/Direction), Motion detection, Slip & fall detection, Virtual area(Loitering/Intrusion/Enter/Exit/Appear/Disappear), Auto tracking
	Normal	Tampering, Audio detection, Shock detection

Network

Ethernet	RJ-45 Push-pull Connector(10/100BASE-T)	
Video Compression	H.265/H.264: Main/Baseline/High, MJPEG	
Smart Codec	WiseStream(Based on AI engine)	
Bitrate Control	H.265/H.264: CBR or VBR, MJPEG: VBR	
Streaming	Unicast	Up to 20 users
	Multicast	Support
	Multiple Streaming	Up to 10 profiles
Protocol	IPv4, IPv6, TCP/IP, UDP/IP, RTP(UDP), RTP(TCP), RTCP, RTSP, NTP, HTTP, HTTPS, SSL/TLS, DHCP, FTP, SFTP, SMTP, ICMP, IGMP, SNMPv1/v2c/v3(MIB-2), ARP, DNS, DDNS, QoS, UPnP, Bonjour, LLDP, CDP, SRTP(TCP, UDP Unicast), MQTT, NTCIP 1205, Syslog	
Application Programming Interface	ONVIF	S, G, T, M
	Others	SUNAPI(HTTP API), Hanwha Vision Open Platform
Direct Cloud Connection	Support	

Security

OS / Firmware Protect	Encrypted firmware, Secure boot, Signed firmware	
User authentication	Digest authentication, Prevent brute-force attack	
Network authentication	IEEE 802.1X(EAP-TLS, EAP-LEAP, EAP-PEAP, MSCHAPv2)	
Secure Communication	HTTPS, WSS(WebSocket Secure), SRTP	
Access Control	IP-based access control, MAC-based access control, Auto logout	
Data Protect	Encryption credentials, Encrypt compress for live recording file export	
Audit	Access / System / Event Log management	
Device ID	Device certificate(Hanwha Vision Root CA)	

Security

Secure Storage	SDcard partition encrypt(AES-256), Secure element
Supply Chain Security	SBOM
Security Certificate	Secure element(FIPS 140-3 level3, CC EAL6+), Consumer IoT Security Standard (ETSI EN 303 645)

General

SoC	Type	Wisenet 9
	Dual NPU	Support
Memory	RAM	4GB
	Flash	8GB eMMC
Edge Storage	Micro SD/SDHC/SDXC	Max. 1TB x 1slot
Edge Storage(OnCloud)	Micro SD/SDHC/SDXC	Max. 1TB x 1slot *Hanwha Vision branded microSD cards have been certified and recommended for OnCloud edge recording.

Environmental & Electrical

Operating Condition	Temperature	-50°C~+60°C(-58°F~+140°F)
	Humidity	0~100% RH(condensing)
	Others	+74°C(+165°F)(Max) based on NEMA-TS 2(2.2.7), Start up should be done at above -30°C, Humidity control with AIR vent
Storage Condition	Temperature	-50°C~+60°C(-58°F~+140°F)
	Humidity	0~90% RH(non-condensing)
Wind Load		Sustained 257km/h (160mph)
EPA(Effective Projected Area)		0.095m ²
Input Voltage		PoE++(IEEE802.3bt type4, Class8)
Power Consumption	PoE	Max 71W, Typical 33.2W
WisePower		Power mode, Power monitoring, Eco mode

Mechanical

Color		Black
Material		Aluminum, PC(Polycarbonate), ITO Glass
Material Management	Declaration	RoHS(EU RoHS directive 2011/65/EU and IEC/EN 63000:2018), REACH(Regulation (EC) No. 1907/2006), Conflict mineral policy(Section 1502 of US Dodd Frank Act)
RAL Code		RAL9005
Product Dimensions		Upright Normal/Inverted : 293.4(W)x205.6(D)x399.9(H)mm (11.55x8.09x15.74") Upright Canted : 293.4(W)x301.9(D)x363.6.9(H)mm (11.55x11.89x14.31")
Product Weight		10.5kg(9.5kg: Excluding installation part)

Certifications & Standards

EMC		EN 50121-4, FCC 47 CFR 15 Subpart B Class A, ICES-3(A)/NMB-3(A), CE/UKCA - EN55032 Class A, EN 50130-4, VCCI CISPR 32 Class A, RCM AS-NZS CISPR 32 Class A, KS C 9832 Class A, KS C 9835, EN 55035
-----	--	--

Certifications & Standards

Safety	UL 62368-1, CAN/CSA C22.2 NO. 62368-1, IEC 62471, IEC/EN/UL 62368-1 GS UL cUL CE FCC VCCI CB
Environment	IEC 60529 IP66, IEC 60529 IP68, IEC 62262 IK10, NEMA TS 2-2013 (2.2.7, 2.2.8, 2.2.9), NEMA 250 type 4X, IEC 60068-2-1, IEC 60068-2-2, IEC 60068-2-6, IEC 60068-2-14, IEC 60068-2-27, IEC 60068-2-78, MIL-STD-810H 501.7, MIL-STD-810H 502.7, MIL-STD-810H 503.7, MIL-STD-810H 505.7, MIL-STD-810H 506.6, MIL-STD-810H 507.6, MIL-STD-810H 509.7, MIL-STD-810H 510.7, MIL-STD-810H 521.4, IEC 60068-2-52:2017, NEMA TS2, 2.1.9, NEMA TS2, 2.1.10, NEMA TS2, 2.2.4, NEMA 250, 5.6, ASTM B117

DORI (EN62676-4 standard)

Detect (25PPM/ 8PPF)	Wide	123.8m(406.23ft)
	Tele	4972m(16311ft)
Observe (63PPM/ 19PPF)	Wide	49.5m(162.49ft)
	Tele	1989m(6525ft)
Recognize (125PPM/ 38PPF)	Wide	24.8m(81.25ft)
	Tele	994.3m(3262ft)
Identify (250PPM/ 76PPF)	Wide	12.4m(40.62ft)
	Tele	497.2m(1631ft)

TNP-A9430RWB

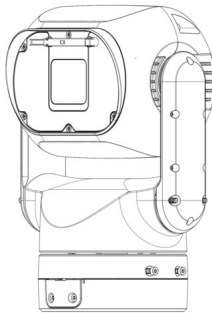
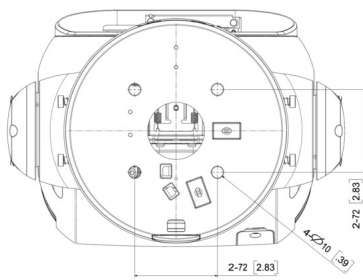
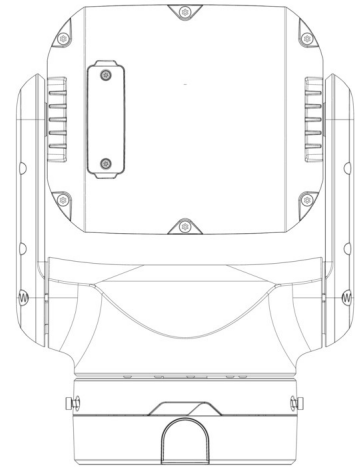
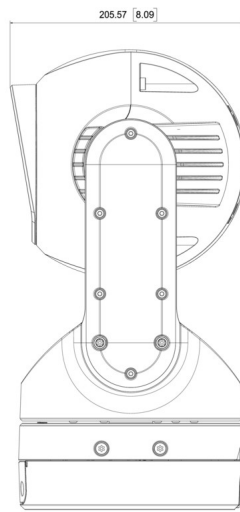
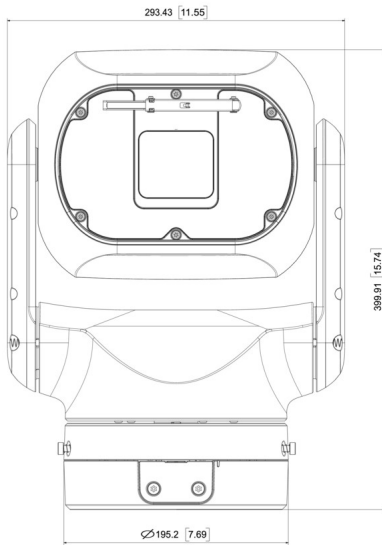
8MP AI Ruggedized PTZ Camera



CAD

Unit: mm [inch]

For upright installation



6	TNP-A6550RWB	'26.01.07
5	TNP-A7430RWB	
4	TNP-A9430RWB	
3	TNP-A6550RW	
2	TNP-A7430RW	
1	TNP-A9430RW	
No.	MODEL NAME	DATE
Unit:mm[inch] SCALE:1/1		

© Hanwha Vision Co.,Ltd. All rights reserved.