



SPI-BBN0

BCR Camera LED module

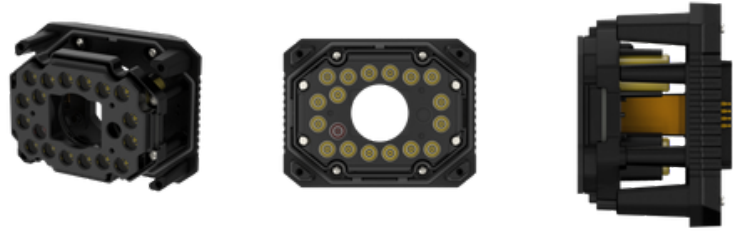


Key Features

- Blue LED Module for 3MP BCR Camera
- Power Consumption: 6.9 W
- LED Quantity: 16EA
- IP66/IP67(camera and front cover must be assembled)
- Operating Temperature / Humidity: -40°C~+55°C / 0~95% RH
- Compatible Camera: TNS-7000M
Compatible Lenses: SLM-5M16, SLM-5M25

SPI-BBN0

BCR Camera LED module



Specifications

Environmental

Operating Temperature / Humidity	-40°C~+55°C / 0~95% RH
Storage Temperature / Humidity	-40°C ~ +60°C / Less than 95% RH
Certification	FCC, UL, CE, KC, IEC 62471 IP66/IP67(camera and front cover must be assembled)

Electrical

Input Voltage	24 VDC \pm 10%
Power Consumption	18 W

Mechanical

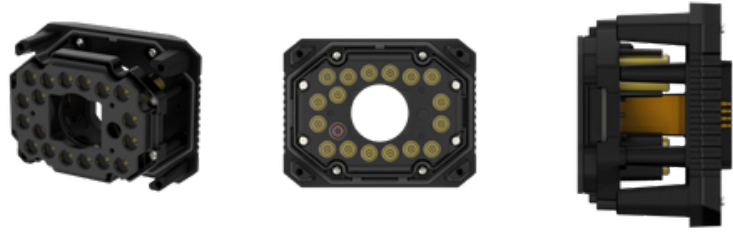
Product dimensions / weight	W101.2 x D53.8 x H78.2 / 200g
Supported products	TNS-7000M

LED

Wavelength	455nm
Quantity	16EA
Angle	FWHM : 17° 10~% : 32°

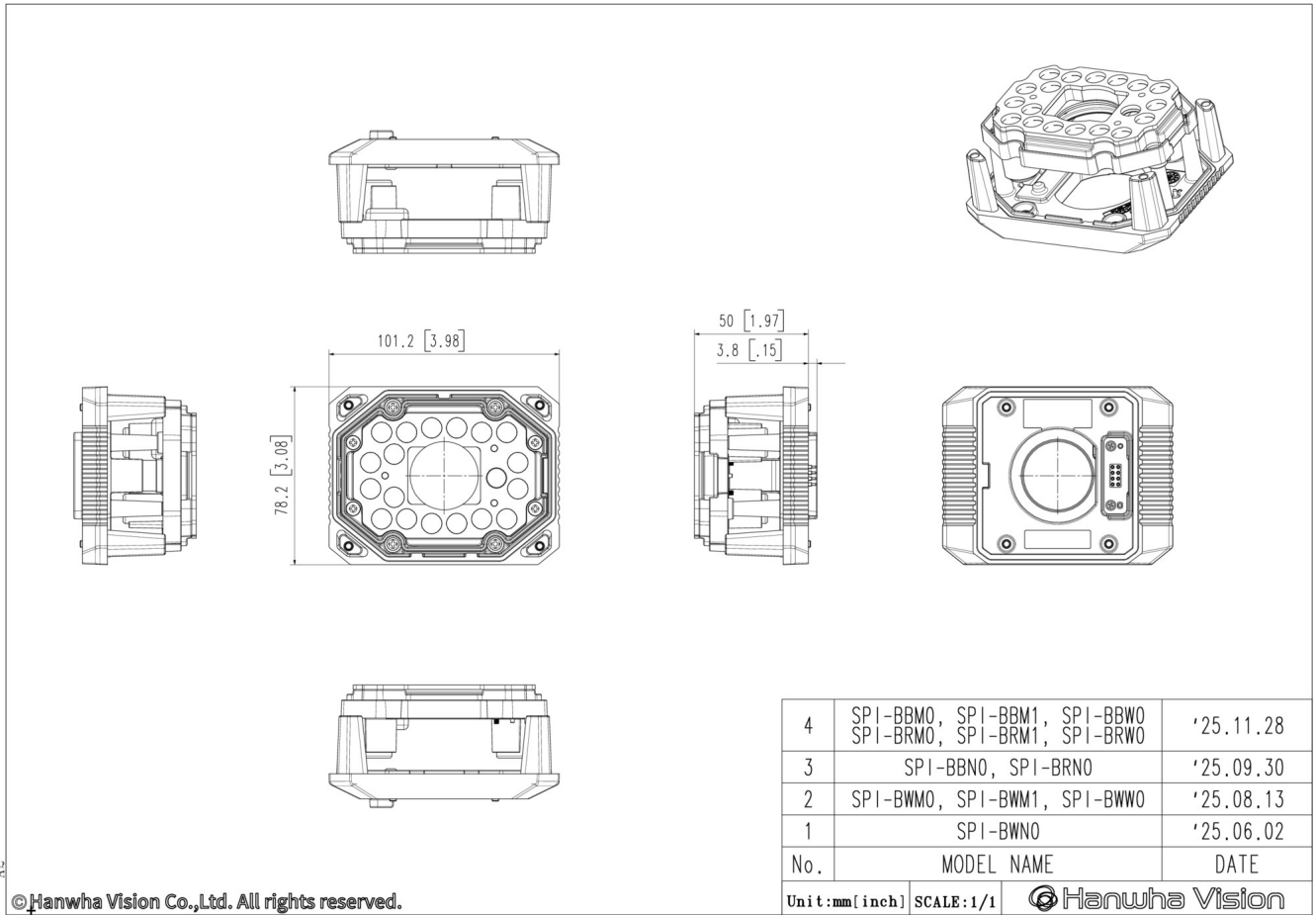
SPI-BBN0

BCR Camera LED module



CAD

Unit: mm [inch]



© Hanwha Vision Co., Ltd. All rights reserved.