



# SLM-5M16

BCR Camera 16mm Lens



## Key Features

- Resolution: 3M~5M
- Focal Length: 16mm
- Max. Aperture: F6
- Mount Type : C mount
- Supported products: TNS-7000M

# SLM-5M16

BCR Camera 16mm Lens



## Specifications

### Video

|                |      |               |
|----------------|------|---------------|
| Imaging Device | Size | 1/3.1"~1/1.8" |
|                | Type | CMOS          |
| Resolution     |      | 3M ~ 5M       |

### Lens

|                                |            |               |
|--------------------------------|------------|---------------|
| Focal Length (mm)              |            | 16mm          |
| Back Focal Length (mm)         |            | 9.97mm        |
| Flange Back Focal Length (mm)  |            | 17.526mm      |
| Max. Aperture Ratio (F number) | Wide       | F6            |
| Angular Field of View          | Horizontal | 16.4° ~ 23.7° |
|                                | Vertical   | 12.3° ~ 19.9° |
|                                | Diagonal   | 20.4° ~ 30.6° |
| Mount Type                     |            | C mount       |

### Environmental & Electrical

|                     |             |                          |
|---------------------|-------------|--------------------------|
| Operating Condition | Temperature | -20°C~+60°C(-4°F~+140°F) |
|---------------------|-------------|--------------------------|

### Mechanical

|                    |               |
|--------------------|---------------|
| Product Dimensions | Ø29x48.8mm(L) |
| Product Weight     | 53.73g        |

SLM-5M16

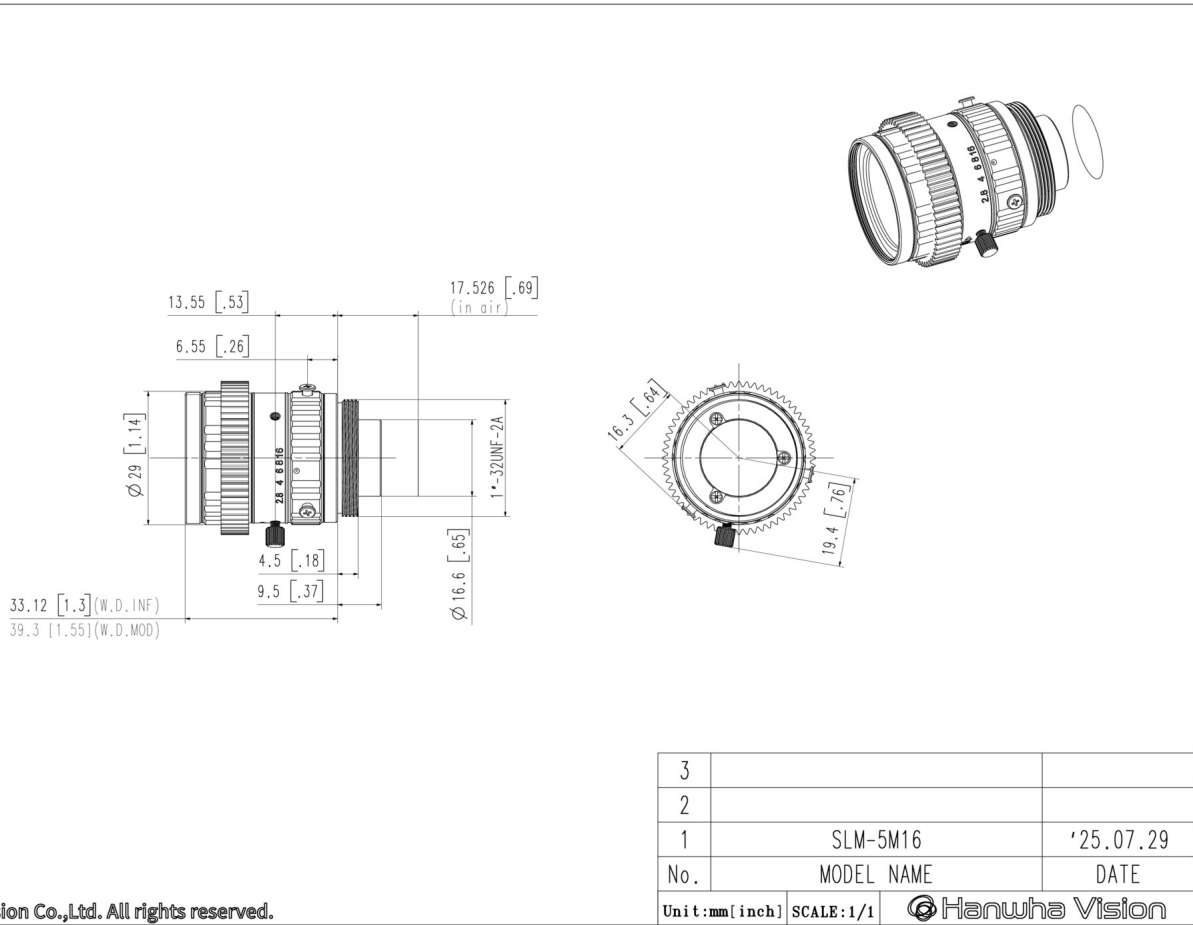
# SLM-5M16

BCR Camera 16mm Lens



## CAD

Unit: mm [inch]



© Hanwha Vision Co.,Ltd. All rights reserved.