



SLA-F2480WDA

5MP Waterproof Dome Lens Module

Key Features

- SupportS 5MP resolution
- 2.4mm Fixed Focal Length
- 123° Horizontal Field of View (HFOV)
- IP66 and NEMA 4X rated for robust environmental durability
- 8m Cable for Flexible Installation
- Compatible with PNM-C20000QB

SLA-F2480WDA

5MP Waterproof Dome Lens Module



Specifications

Video

| | | |
|-------------------------|-----------------------|--------|
| Imaging Device | Size | 1/2.8" |
| | Type | CMOS |
| Min. Illumination (Lux) | Color(1/30sec, 30IRE) | 0.08 |
| | BW(1/30sec, 30IRE) | 0.08 |

Lens

| | | |
|--------------------------------|------------|-------------------------------|
| Focal Length (mm) | | 2.45 |
| Max. Aperture Ratio (F number) | Wide | 2.0 |
| | Tele | 2.0 |
| Angular Field of View | Horizontal | 123° |
| | Vertical | 91° |
| | Diagonal | 159° |
| Mount Type | | RJ12 connected with main unit |
| Focus Control | | Fixed |

Pan / Tilt / Rotate

| | | |
|---------------------------|--------|---------|
| Pan / Tilt / Rotate Range | Pan | 0°~350° |
| | Tilt | 0°~70° |
| | Rotate | 0°~355° |

Environmental & Electrical

| | | |
|---------------------|-------------|--|
| Operating Condition | Temperature | -30°C~+55°C(-22°F~+131°F) |
| | Humidity | 0~95% RH |
| | Others | Start up should be done at above -30°C |
| Storage Condition | Temperature | -50°C~+60°C(-58°F~+140°F) |
| | Humidity | Less than 90% RH |

Mechanical

| | |
|--------------------|---|
| Color | White |
| Material | Metal |
| Product Dimensions | ø110.0x77.0mm(ø3.54x2.36"), Cable: 8m(26.2ft) |

Mechanical

| | |
|---------------------------|-----------------------------------|
| Product Weight | 455g(1.00lb), Cable: 350g(0.77lb) |
| Supported Products | PNM-C20000QB |

Certification & Standards

| | |
|--------------------|---|
| EMC | FCC 47 CFR 15 Subpart B Class A, ICES-3(A)/NMB-3(A), CE/UKCA EN 55032 Class A, EN 50130-4, EN 61000-3-2, EN 61000-3-3, VCCI CISPR 32 Class A, RCM AS/NZS CISPR 32 Class A, KS C 9832 Class A, KS C 9835 |
| Safety | UL 62368-1, CAN/CSA C22.2 NO. 62368-1 |
| Environment | IEC 60529 IP66, NEMA 250 type 4X, IEC 62262 IK10, IEC 60068-2-1, IEC 60068-2-2, IEC 60068-2-6, IEC 60068-2-14, IEC 60068-2-27, IEC 60068-2-78 |

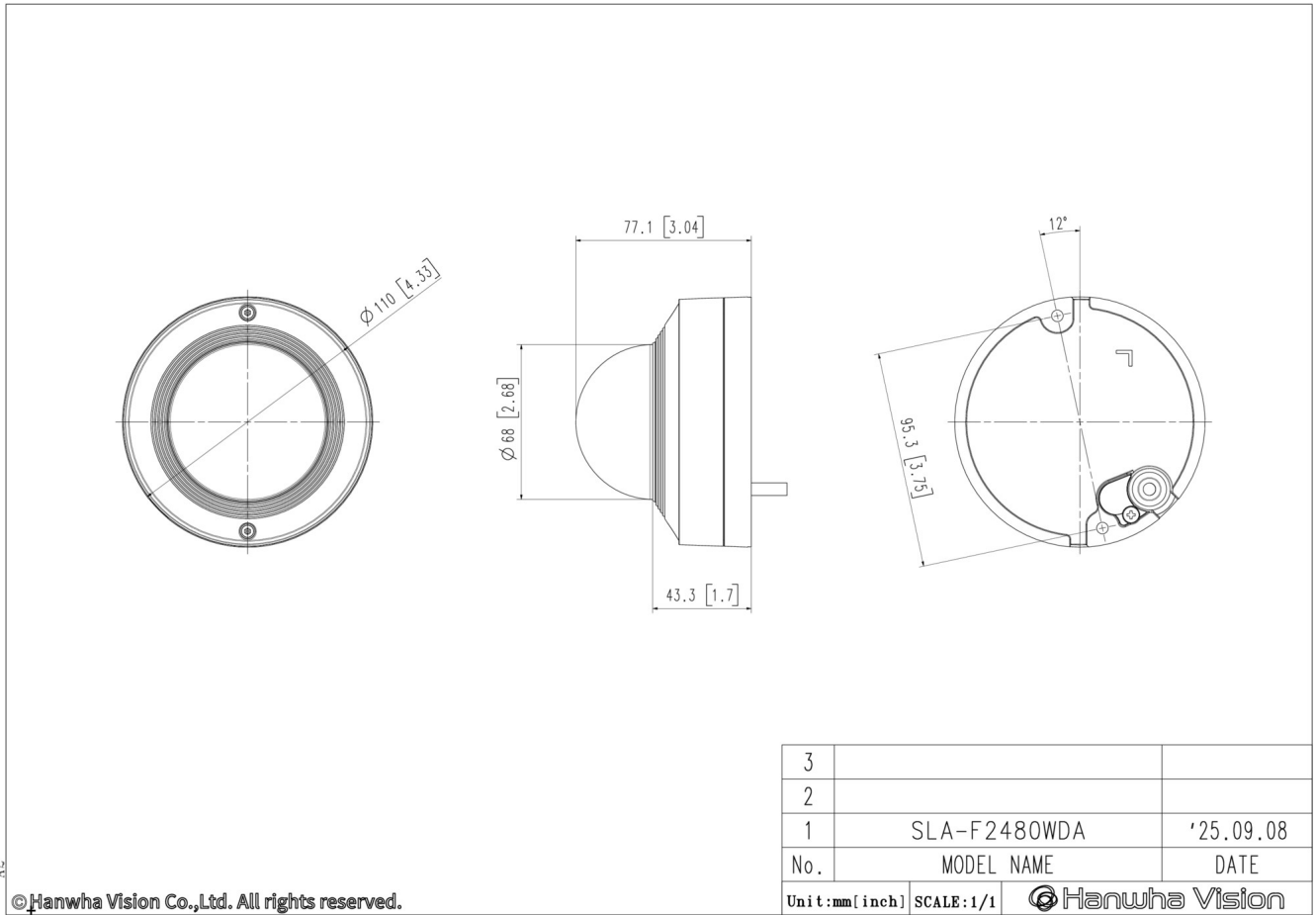
SLA-F2480WDA

5MP Waterproof Dome Lens Module



CAD

Unit: mm [inch]



T/C-249554-