

# **KAMERA SIECIOWA**

## Skrócona Instrukcja Obsługi

TNU-6324ER  
TNU-6324E



## Important

Please check 'Manuals' from our website, before connecting to the Supply,  
<https://www.hanwhavision.com/en/download-data/>

## Warranty

Please check "Product warranty information" from our website.  
<https://www.hanwhavision.com/en/support/warranty/>

We recommend to use the officially compatible VMS version or latest Hanwha NVR version when integrating with VMS or Hanwha NVR.



Hanwha Vision cares for the environment at all product manufacturing stages, and is taking measures to provide customers with more environmentally friendly products.

The Eco mark represents Hanwha Vision's devotion to creating environmentally friendly products, and indicates that the product satisfies the EU RoHS Directive.



### Correct Disposal of This Product (Waste Electrical & Electronic Equipment)

(Applicable in the European Union and other European countries with separate collection systems)

This marking on the product, accessories or literature indicates that the product and its electronic accessories (e.g. charger, headset, USB cable) should not be disposed of with other household waste at the end of their working life. To prevent possible harm to the environment or human health from uncontrolled waste disposal, please separate these items from other types of waste and recycle them responsibly to promote the sustainable reuse of material resources.

Household users should contact either the retailer where they purchased this product, or their local government office, for details of where and how they can take these items for environmentally safe recycling.

Business users should contact their supplier and check the terms and conditions of the purchase contract.

This product and its electronic accessories should not be mixed with other commercial wastes for disposal.



### Correct disposal of batteries in this product

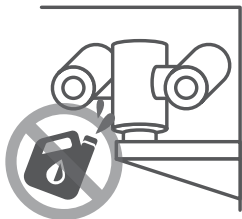
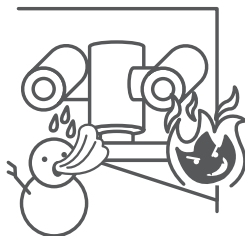
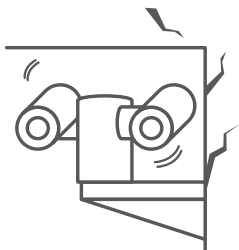
(Applicable in the European Union and other European countries with separate battery return systems.)

This marking on the battery, manual or packaging indicates that the batteries in this product should not be disposed of with other household waste at the end of their working life. Where marked, the chemical symbols Hg, Cd or Pb indicate that the battery contains mercury, cadmium or lead above the reference levels in EC Directive 2006/66. If batteries are not properly disposed of, these substances can cause harm to human health or the environment.

To protect natural resources and to promote material reuse, please separate batteries from other types of waste and recycle them through your local, free battery return system.

# SAFETY INFORMATION

---

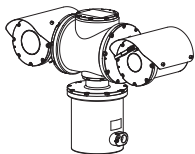


## COMPONENT

---

Aksesoria nie są identyczne i zależą od kraju sprzedaży.

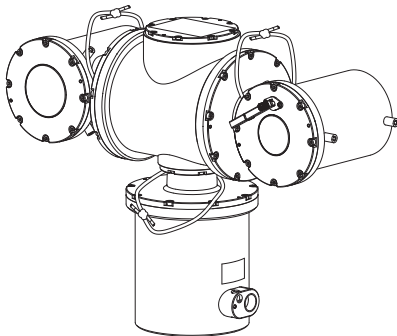
- TNU-6324ER



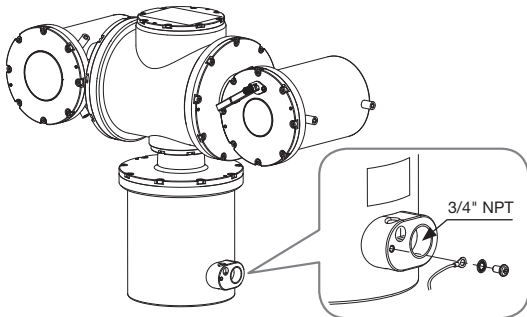
# INSTALLATION

---

1

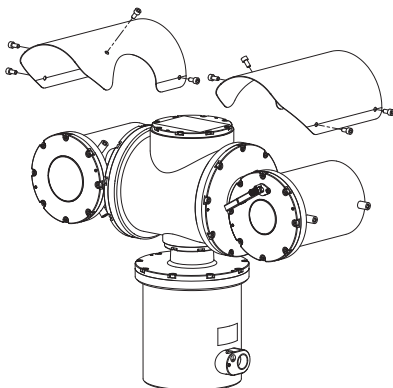


2

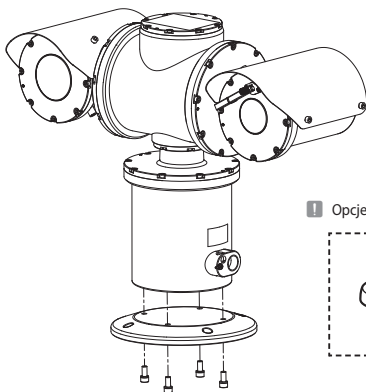


# INSTALLATION

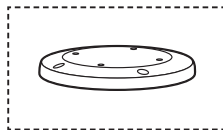
3



4-1



1 Opcje (dodatkowe)

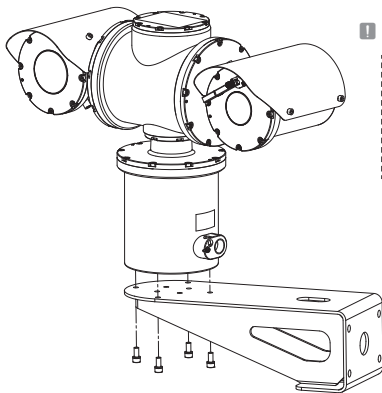


SBE-100B

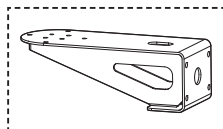
6

# INSTALLATION

4-2

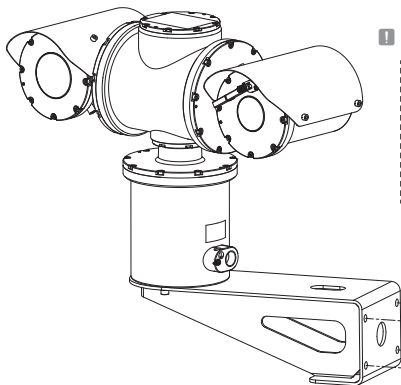


! Opcje (dodatkowe)

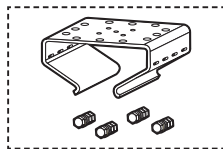


SBE-100WM

4-3



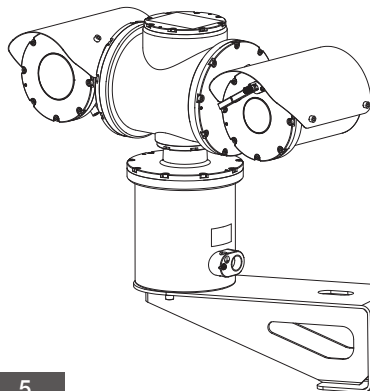
! Opcje (dodatkowe)



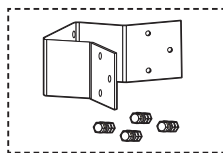
SBE-100PM

# INSTALLATION

4-4

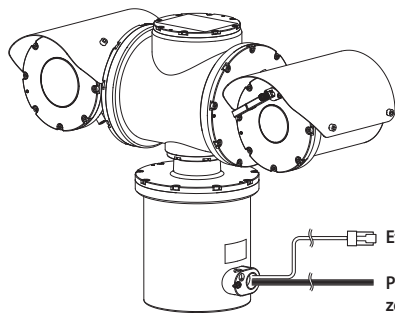


1 Opcje (dodatkowe)



SBE-100KM

5



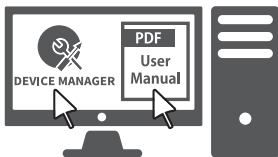
Ethernet

Przewody zewnętrzne

# INSTALLATION

---

6



+

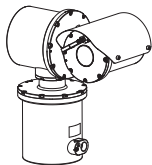


## COMPONENT

---

Aksesoria nie są identyczne i zależą od kraju sprzedaży.

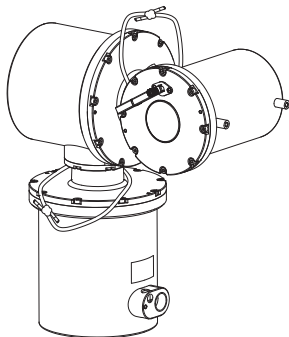
- TNU-6324E



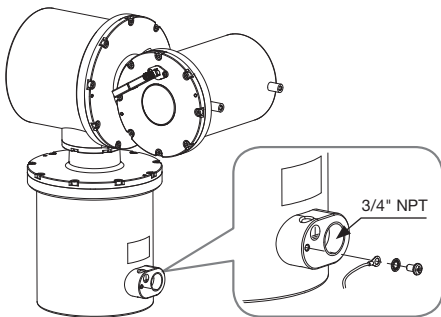
# INSTALLATION

---

1

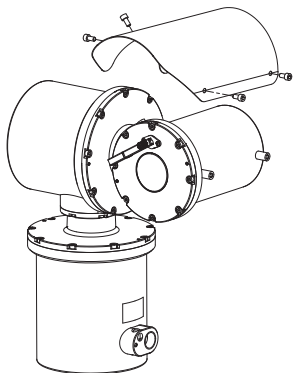


2

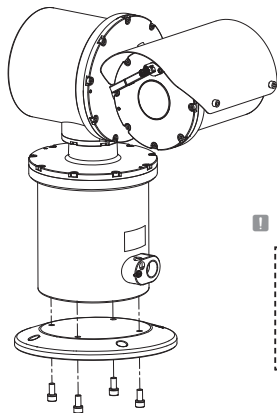


# INSTALLATION

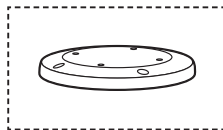
3



4-1



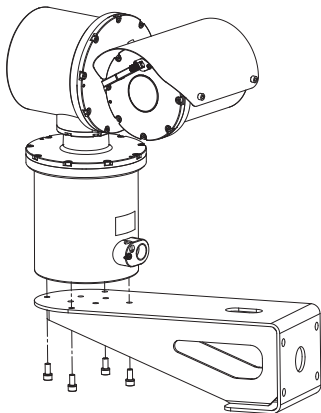
1 Opcje (dodatkowe)



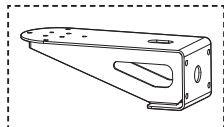
SBE-100B

# INSTALLATION

4-2

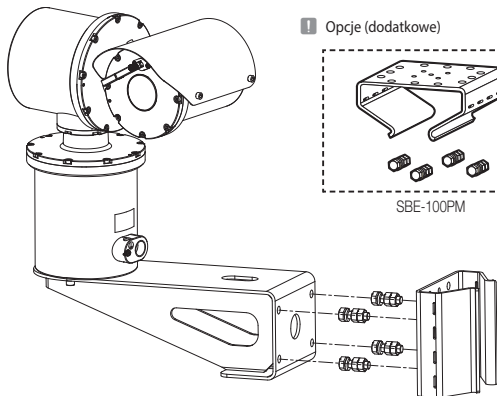


! Opcje (dodatkowe)

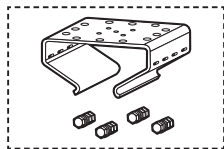


SBE-100WM

4-3



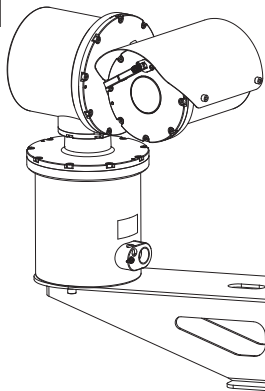
! Opcje (dodatkowe)



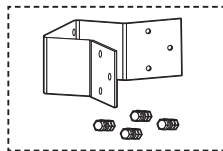
SBE-100PM

# INSTALLATION

4-4

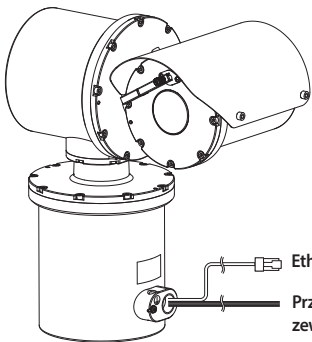


1 Opcje (dodatkowe)



SBE-100KM

5



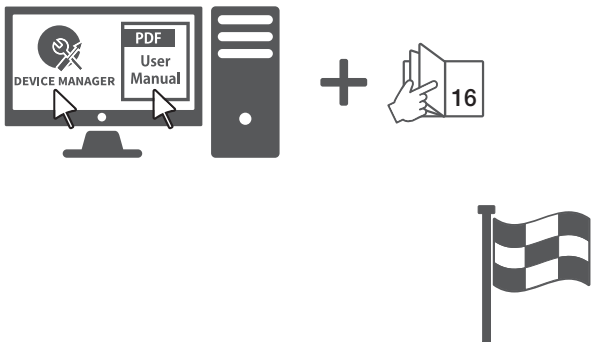
Ethernet

Przewody zewnętrzne

## INSTALLATION

---

6



## USTAWIENIA HASŁA

Pierwsze użycie produktu wiąże się z koniecznością rejestracji loginu i hasła.

Administrator password change

New password

Confirm new password

- If the password is 8 to 9 characters long, it must include at least 3 of the following character types: English uppercase letters, English lowercase letters, numbers, and special characters. ( support up to 10 characters )
- If the password is 10 characters or longer, it must include at least 2 of the following character types: English uppercase letters, English lowercase letters, numbers, and special characters.
- ID may not be used as password. The password and ID cannot be identical.
- The following special characters can be used: ~!@#%&\*()\_+={ }|];:~" ' < > , . ? /
- You may not use more than 4 consecutive characters, (example: 1234, abcd, etc.)
- You may not use the same character 4 or more times consecutively (example: 1111, abaa, etc.)

Apply



- W przypadku nowego hasła składającego się z 8 do 9 znaków musisz użyć co najmniej 3 z następujących: wielkie/małe litery, cyfry i znaki specjalne. W przypadku hasła składającego się z 10 lub więcej znaków musisz użyć co najmniej 2 z wyżej wymienionych znaków. (obsługa do 15 znaków)
  - Dozwolone znaki specjalne. :  
~!@#%&\*()\_+={ }|];:~" ' < > , . ? /
- Hasło nie może posiadać spacji.
- Dla poprawy bezpieczeństwa nie zaleca się powtarzania tych samych znaków po kolei ani używania kolejnych znaków klawiatury.
- Jeżeli hasło zostało utracone, nacisnąć przycisk **[RESET]** i inicjować produkt. Zatem hasło należy zapamiętać, lub zapisać.

## LOGOWANIE

Przy każdej próbie uzyskania dostępu do kamery zostanie wyświetlono okno logowania. Wprowadź ID użytkownika i hasło, aby uzyskać dostęp do kamery.

- 1 Wpisz słowo „admin” w polu <User Name>.
- 2 Wprowadź hasło w polu <Password>.
- 3 Kliknij przycisk [Sign in].



**Türkiye Distribütörü**

**EDS Elektronik Destek Sanayi ve Ticaret Ltd. Şti.**

Meclis Mah. Teraziler Cad. Hayran Sk. (Eskisi Kılıç Sk.) No: 4 Sancaktepe / İstanbul / Türkiye

Tel +90.216.313.25.15

**ENTES ELEKTRONİK CİHAZLAR İMALAT VE TİC. A.Ş.**

Dudullu Org.San.Bölg. 1. Cad. No:23 34776 Ümraniye / İstanbul / Türkiye

Tel +90.216.313.01.10

**TEKNOMAKS TEKNOLOJİ / TEKNOMAKS BİLİSİM**

MERDİVENKÖY MAH.DİKYOL SOK. BUSINESS İSTANBUL No:2, Kat:7, D:B67, 34732 Kadıköy / İstanbul / Türkiye

Tel +90.212.217.54.22

Cihazın Ticaret Bakanlığınca önerilen ortalama ömrü

Cihazın EEE yönetmeliklerine uygun olduğuna benzer beyan