

# KAMERA SIECIOWA

## Skrócona Instrukcja Obsługi

XNV-6083R/XNV-8082R/XNV-8083R/  
XNV-8093R/XNV-9082R/XNV-9083R/  
XND-6083RV/XND-8082RV/XND-8083RV/  
XND-8093RV/XND-9082RV/XND-9083RV/  
XND-8082RF/XND-9082RF



## Important

Please check 'Manuals' from our website, before connecting to the Supply,  
<https://www.hanwhavision.com/en/download-data/>

## Warranty

Please check "Product warranty information" from our website.  
<https://www.hanwhavision.com/en/support/warranty/>

We recommend to use the officially compatible VMS version or latest Hanwha NVR version when integrating with VMS or Hanwha NVR.



Hanwha Vision cares for the environment at all product manufacturing stages, and is taking measures to provide customers with more environmentally friendly products.

The Eco mark represents Hanwha Vision's devotion to creating environmentally friendly products, and indicates that the product satisfies the EU RoHS Directive.



### Correct Disposal of This Product (Waste Electrical & Electronic Equipment)

(Applicable in the European Union and other European countries with separate collection systems)

This marking on the product, accessories or literature indicates that the product and its electronic accessories (e.g. charger, headset, USB cable) should not be disposed of with other household waste at the end of their working life. To prevent possible harm to the environment or human health from uncontrolled waste disposal, please separate these items from other types of waste and recycle them responsibly to promote the sustainable reuse of material resources.

Household users should contact either the retailer where they purchased this product, or their local government office, for details of where and how they can take these items for environmentally safe recycling.

Business users should contact their supplier and check the terms and conditions of the purchase contract. This product and its electronic accessories should not be mixed with other commercial wastes for disposal.



### Correct disposal of batteries in this product

(Applicable in the European Union and other European countries with separate battery return systems.)

This marking on the battery, manual or packaging indicates that the batteries in this product should not be disposed of with other household waste at the end of their working life. Where marked, the chemical symbols Hg, Cd or Pb indicate that the battery contains mercury, cadmium or lead above the reference levels in EC Directive 2006/66. If batteries are not properly disposed of, these substances can cause harm to human health or the environment.

To protect natural resources and to promote material reuse, please separate batteries from other types of waste and recycle them through your local, free battery return system.

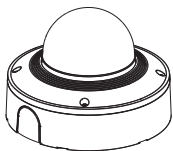
# SAFETY INFORMATION

---



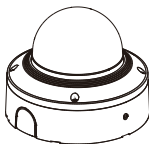
Kamera zewnętrzna kopuła  
wandalowa

XNV-6083R/XNV-8082R/  
XNV-8083R/XNV-8093R/  
XNV-9082R/XNV-9083R



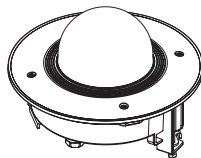
Kamera kopuła wewnętrzna

XND-6083RV/XND-8082RV/  
XND-8083RV/XND-8093RV/  
XND-9082RV/XND-9083RV



Kamera kopuła podtynkowa

XND-8082RF/XND-9082RF

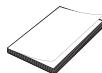
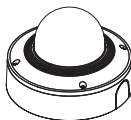


## COMPONENT

Akcesoria nie są identyczne i zależą od kraju sprzedaży.

- XNV-6083R/XNV-8082R/XNV-8083R/XNV-8093R/XNV-9082R/XNV-9083R

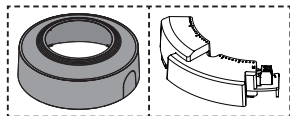
\* Kształt modułu może się różnić w zależności od produktu.



Moduł



### 1 Opcje (nieuwzględnione)



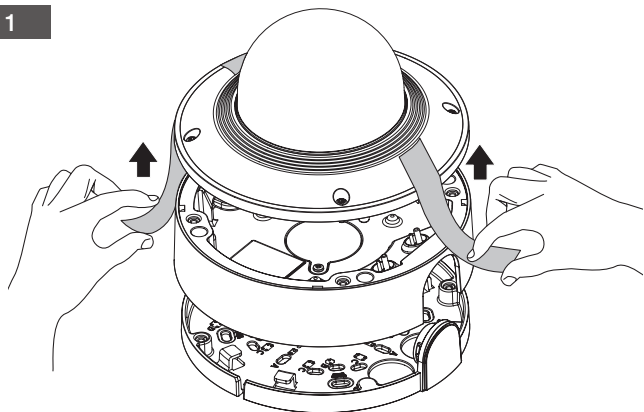
SBC-180B  
(Kolor: Czarny)

SPC-100AC  
Jedynie XNV-8082R/  
XNV-9082R

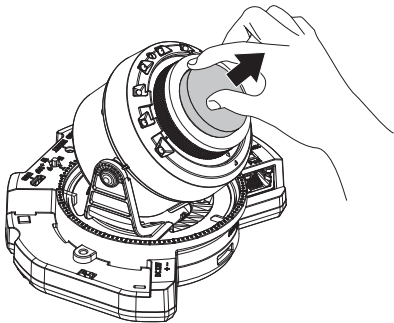
## INSTALLATION

---

1



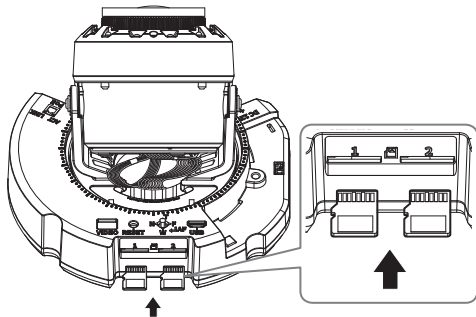
2



## INSTALLATION

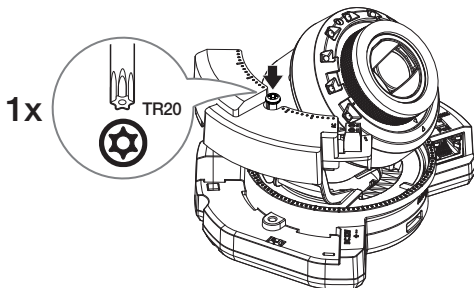
3

- Kupowane oddz.: Karta Micro SD



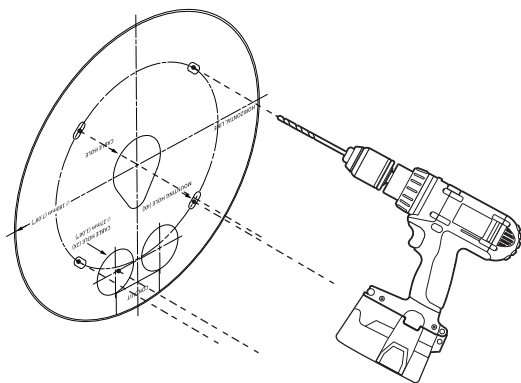
4

- Kupowane oddz.: SPC-100AC (Jedynie XNV-8082R/9082R)



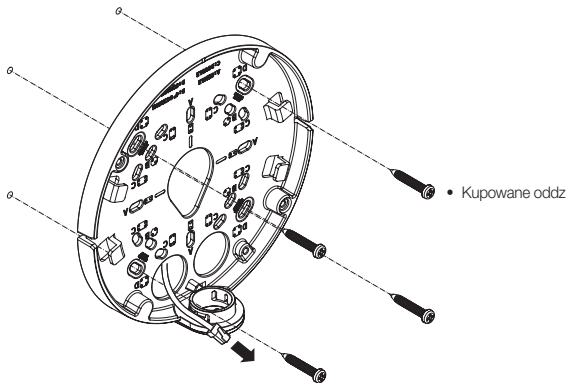
## INSTALLATION

5



6

- Instalacja bezpośrednio na ścianie/suficie

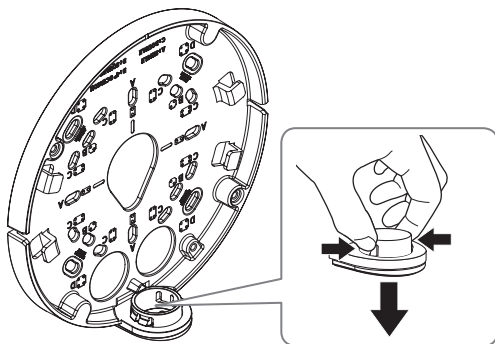


8

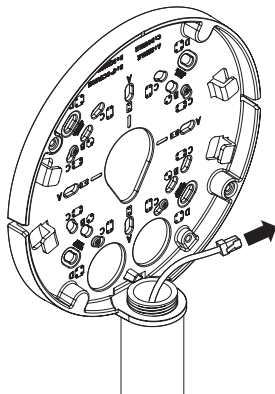
## INSTALLATION

7-1

- Instalacja z użyciem rurki



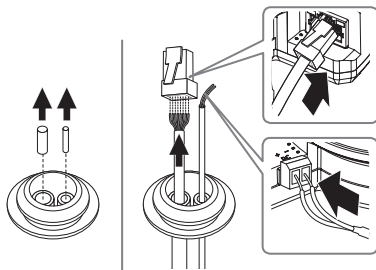
7-2



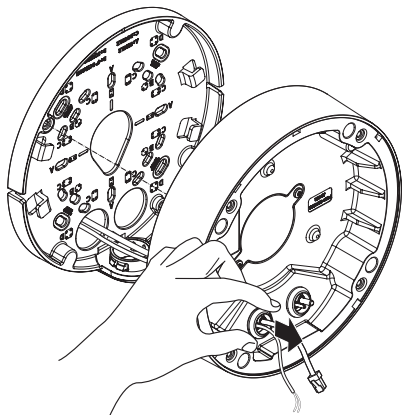
## INSTALLATION

8-1

- Instalacja kabli sieci/zasilania

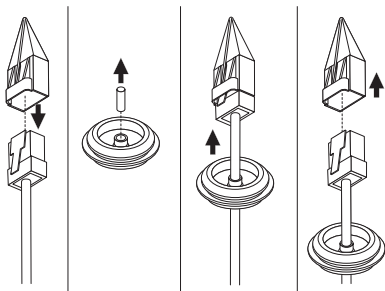


8-2

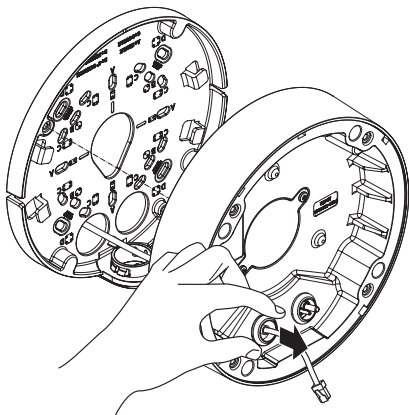


## INSTALLATION

9-1

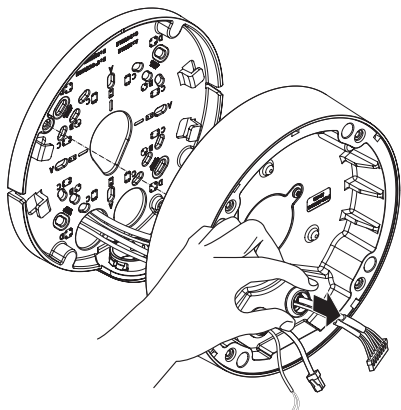


9-2

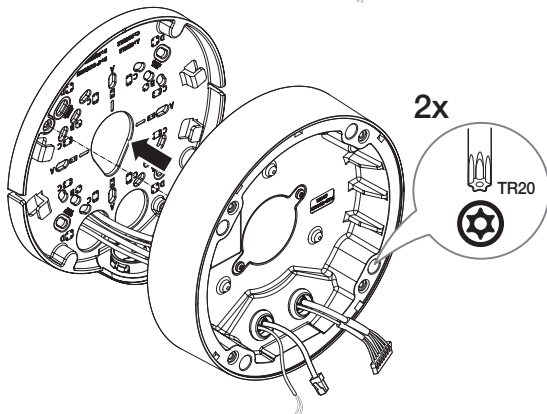


## INSTALLATION

10



11

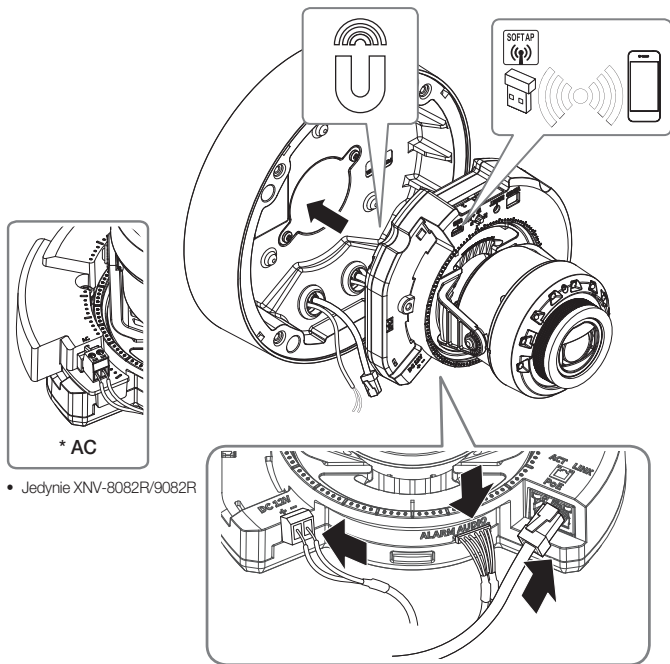


12

## INSTALLATION

12

- Kupowane oddzielnie: Klucz WiFi, adapter OTG

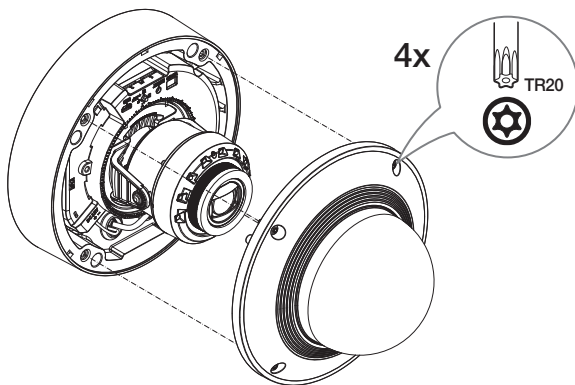


## INSTALLATION

13

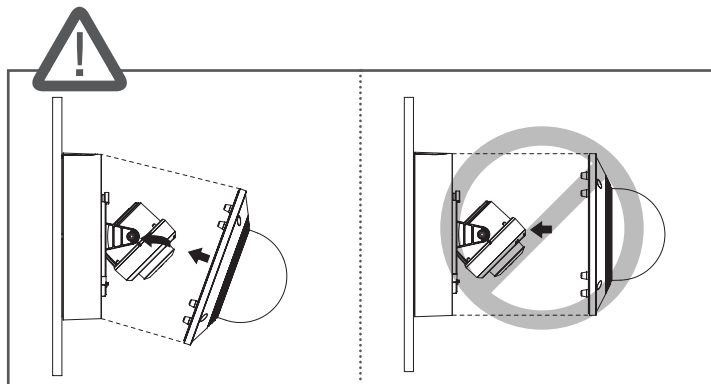


14

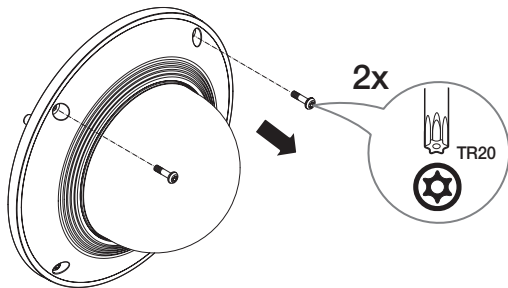


14

## INSTALLATION

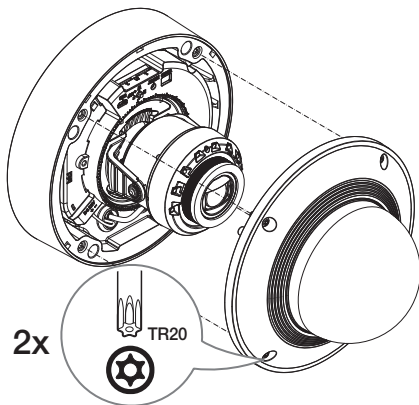


- 15-1** • Użycie nasadki pogodowej

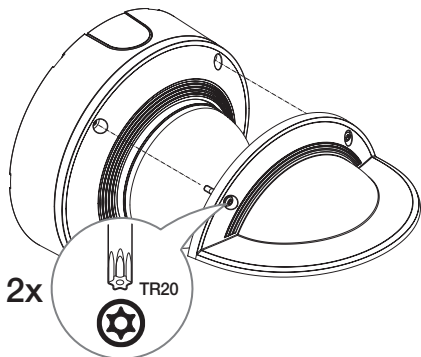


## INSTALLATION

15-2



15-3



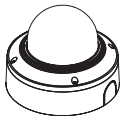


## COMPONENT

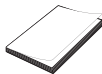
Akcesoria nie są identyczne i zależą od kraju sprzedaży.

- XND-6083RV/XND-8082RV/XND-8083RV/XND-8093RV/XND-9082RV/XND-9083RV

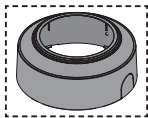
\* Kształt modułu może się różnić w zależności od produktu.



Moduł



**I** Opcje (nieuwzględnione)

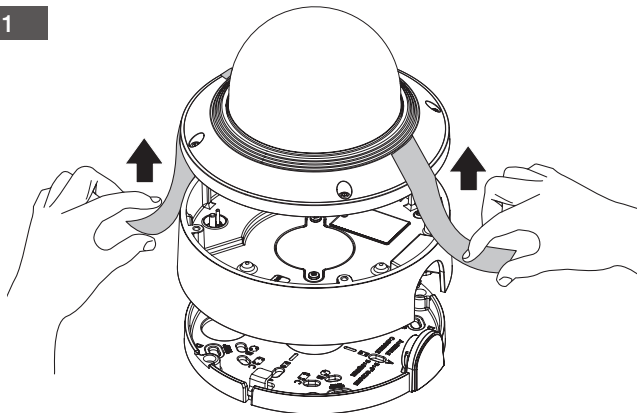


SBC-160B  
(Kolor: Czarny)

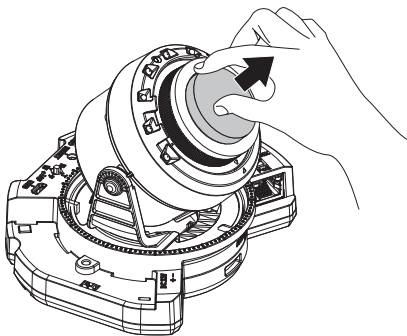
## INSTALLATION

---

1



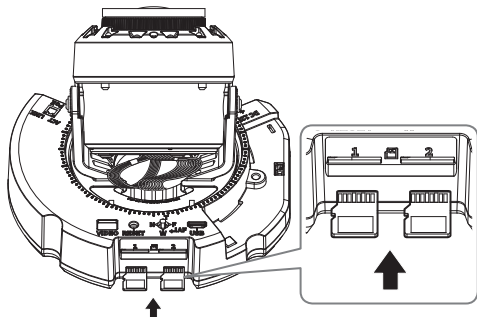
2



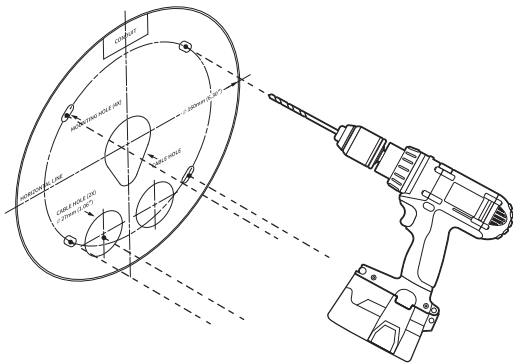
## INSTALLATION

3

- Kupowane oddz.: Karta Micro SD



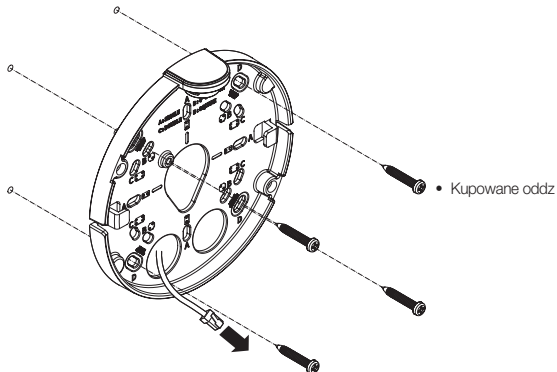
4



## INSTALLATION

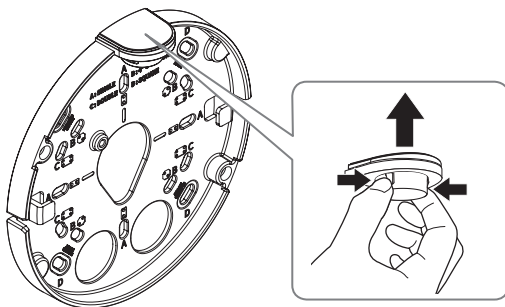
5

- Instalacja bezpośrednio na ścianie/suficie



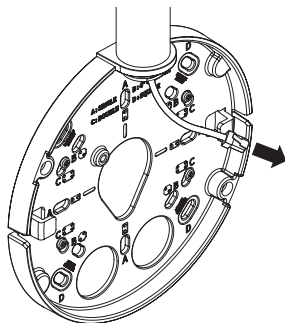
6-1

- Instalacja z użyciem rurki



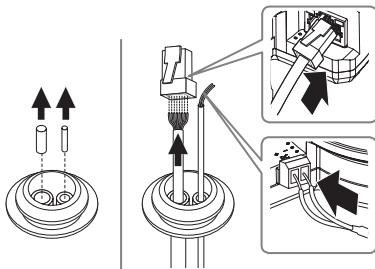
## INSTALLATION

6-2



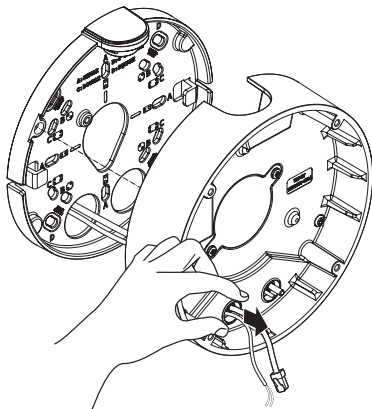
7-1

• Instalacja kabli sieci/zasilania

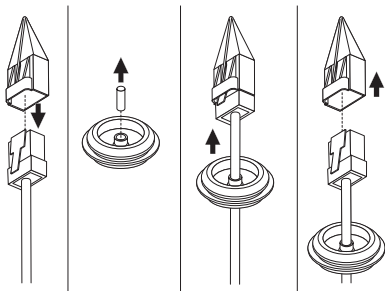


## INSTALLATION

7-2



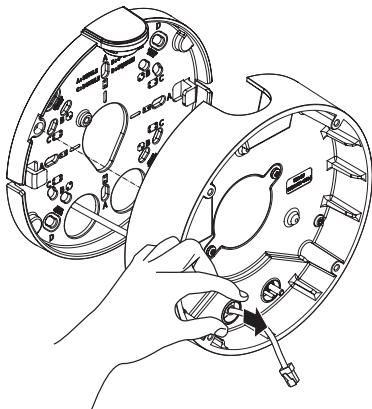
8-1



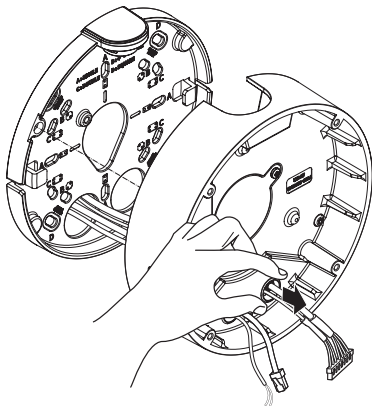
## INSTALLATION

---

8-2

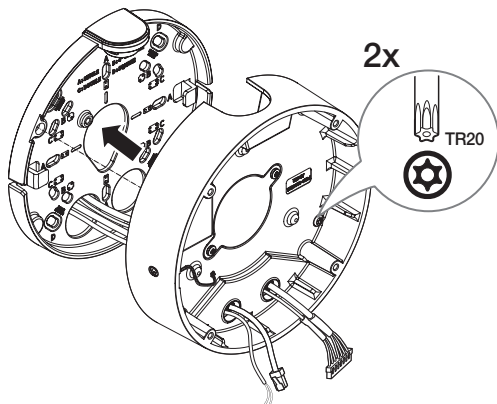


9



## INSTALLATION

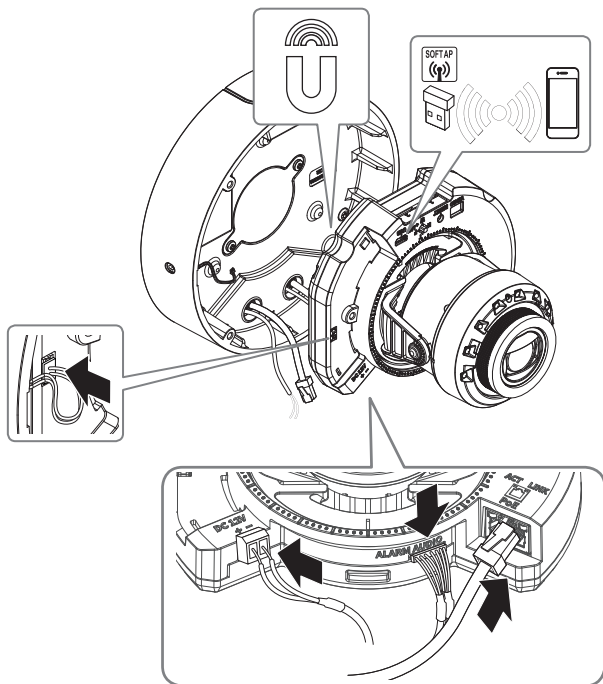
10



## INSTALLATION

11

- Kupowane oddzielnie: Klucz WiFi, adapter OTG



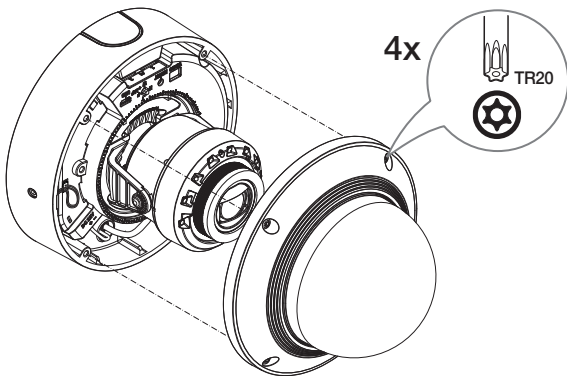
## INSTALLATION

---

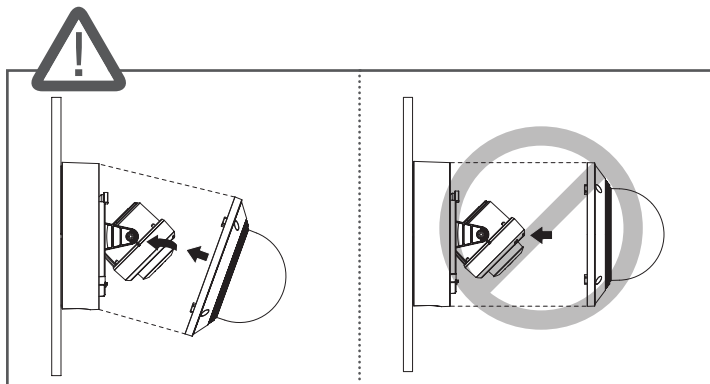
12



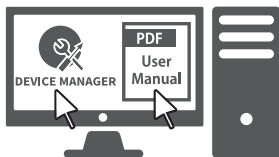
13



## INSTALLATION



14

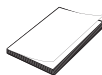
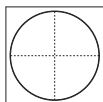
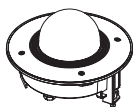


## COMPONENT

---

Akcesoria nie są identyczne i zależą od kraju sprzedaży.

- XND-8082RF/XND-9082RF
- \* Kształt modułu może się różnić w zależności od produktu.

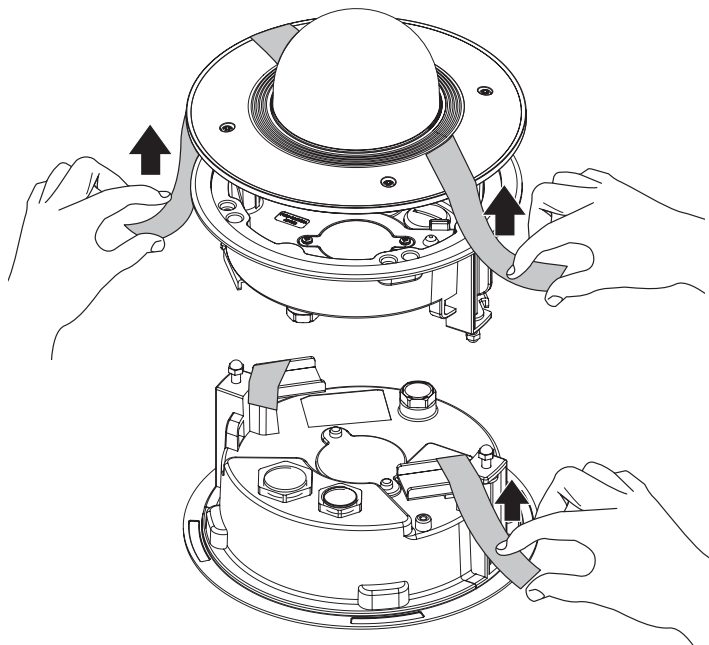


Moduł



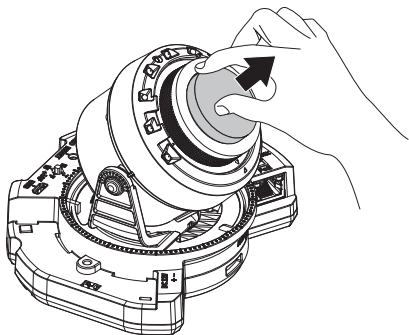
## INSTALLATION

1



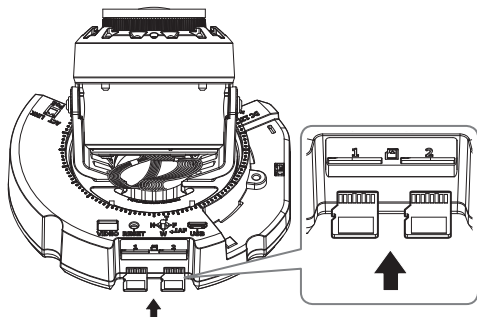
## INSTALLATION

2



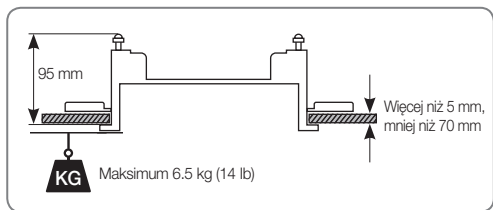
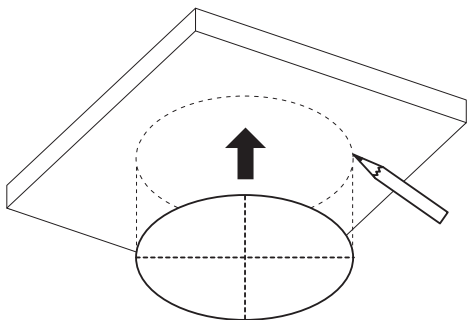
3

- Kupowane oddz.: Karta Micro SD



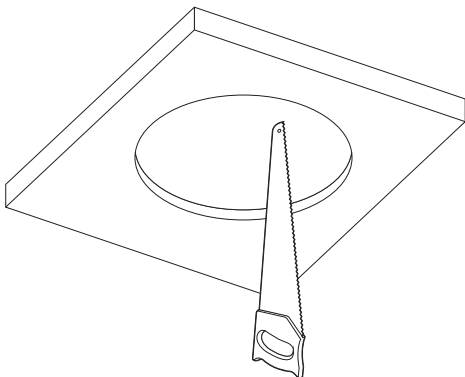
# INSTALLATION

4



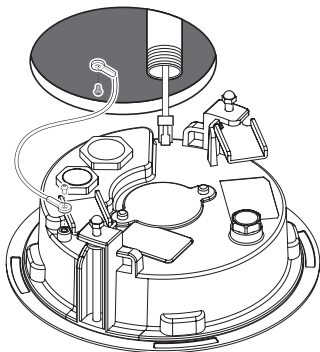
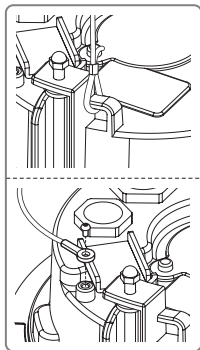
## INSTALLATION

5



6

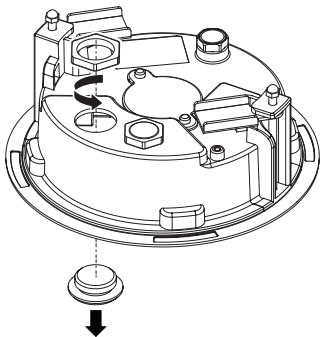
- Kupowane oddzielnie: Kabel bezpieczeństwa



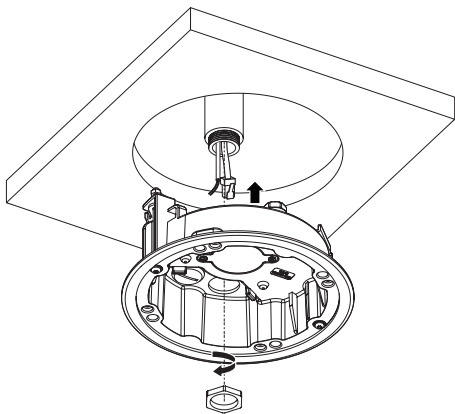
## INSTALLATION

---

7



8

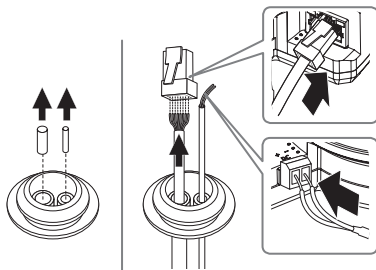


34

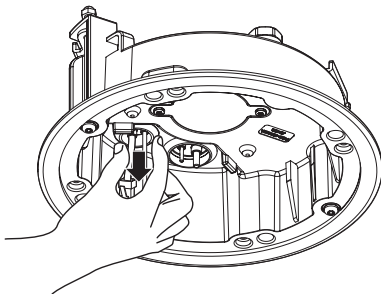
## INSTALLATION

9-1

- Instalacja kabli sieci/zasilania



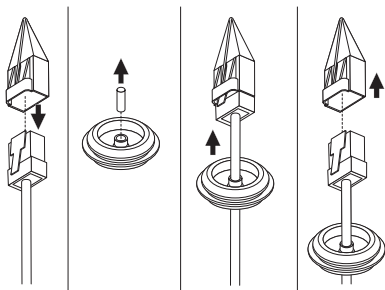
9-2



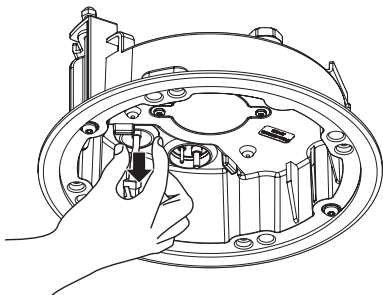
## INSTALLATION

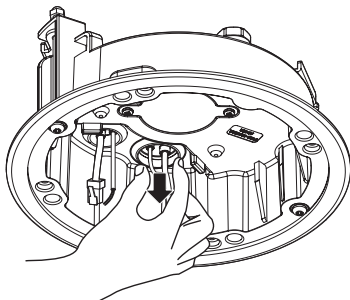
---

10-1



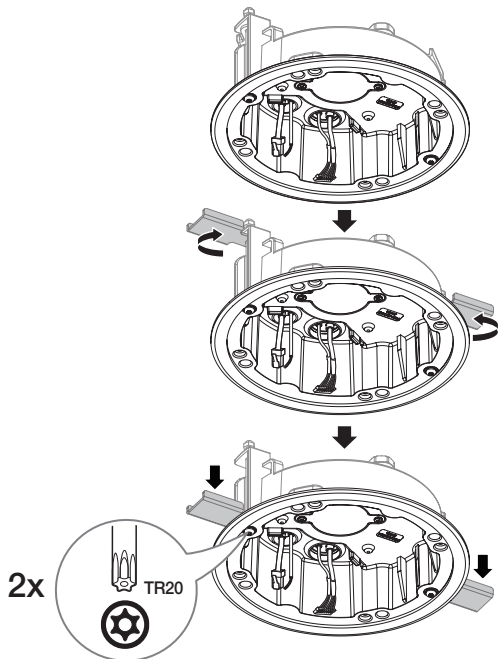
10-2





# INSTALLATION

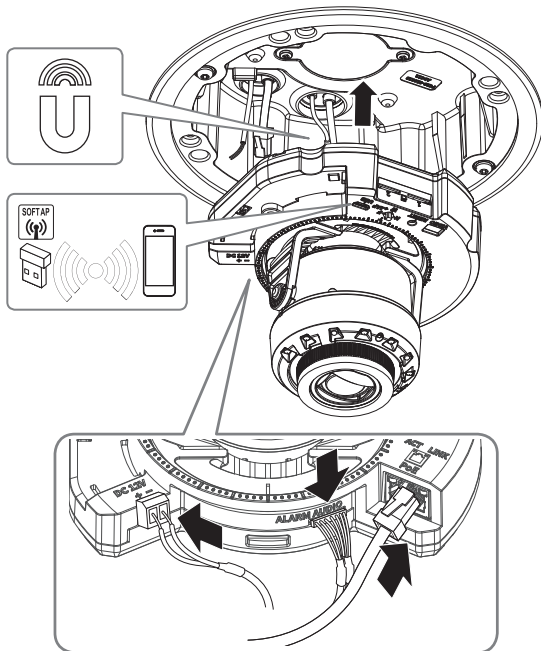
12



## INSTALLATION

13

- Kupowane oddzielnie: Klucz WiFi, adapter OTG

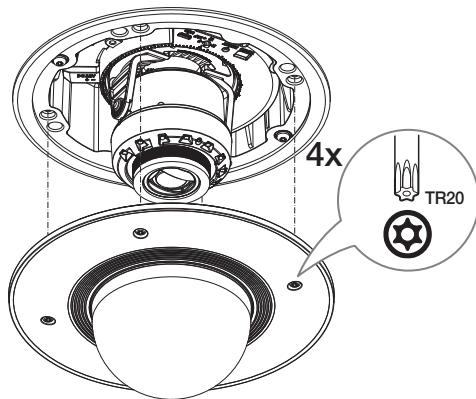


## INSTALLATION

14

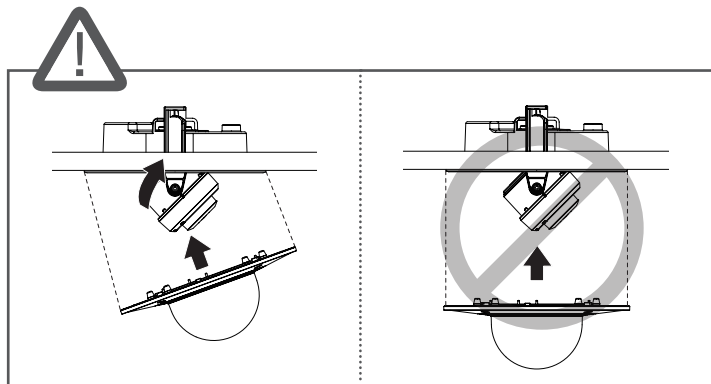


15

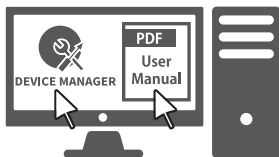


40

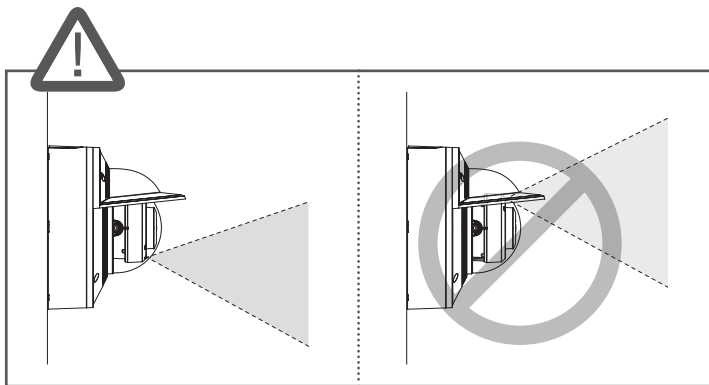
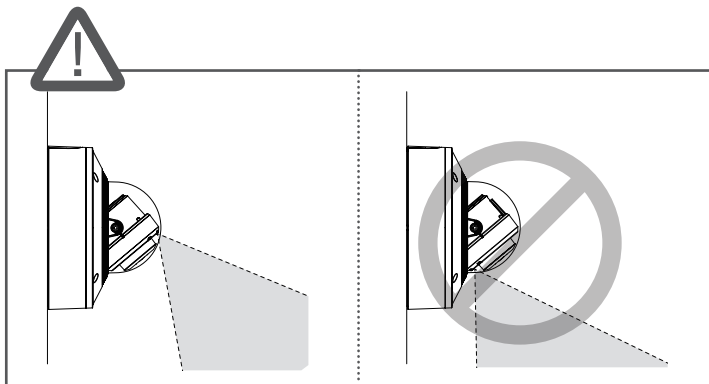
## INSTALLATION



16



## INSTALLATION





# HEVC Advance™

Covered by patents at [patentlist.accessadvance.com](http://patentlist.accessadvance.com)



microSD, microSDHC, and microSDXC Logos are trademarks of SD-3C LLC. microSD, microSDHC, microSDXC are trademarks or registered trademarks of SD-3C, LLC in the United States, other countries or both.

# EAC

Подлежит использованию по назначению  
в нормальных условиях  
Срок службы : 7 лет.

## Türkiye Distribütörü

**EDS Elektronik Destek Sanayi ve Ticaret Ltd. Şti.**

Meclis Mah. Teraziler Cad. Hayran Sk. (Eskisi Kılıç Sk.) No: 4 Sancaktepe / İstanbul / Türkiye  
Tel +90.216.313.25.15

**ENTES ELEKTRONİK CİHAZLAR İMALAT VE TİC. A.Ş.**

Dudullu Org.San.Bölg. 1. Cad. No:23 34776 Ümraniye / İstanbul / Türkiye  
Tel +90.216.313.01.10

**TEKNOMAKS TEKNOLOJİ / TEKNOMAKS BİLİSİM**

MERDİVENKÖY MAH.DİKYOL SOK. BUSINESS İSTANBUL No:2, Kat:7, D:B67, 34732 Kadıköy / İstanbul / Türkiye  
Tel +90.212.217.54.22

Cihazın Ticaret Bakanlığına önerilen ortalama ömrü

Cihazın EEE yönetmeliklerine uygun olduğuna benzer beyan

