

# DH-HAC-HFW1500RL-A

## 5MP IR HDCVI Fixed-focal Bullet Camera



### Series Overview

The Lite Series is a great choice for consumers looking for high quality monitoring products at a reasonable price. Its low cost and high performance make it ideal for residential areas and SMB solutions. This series is equipped with a wide range of technologies, such as full-color and starlight, providing various solutions for different scenarios.

### Functions

#### Starlight

With its large image sensor and large aperture, the camera delivers high performance and quality, even in low-light conditions. The starlight feature allows the camera to capture highly detailed images in accurate color, recognizing targets even at night or in scenes with limited light.

#### Built-in Mic

Audio signal transmission over coaxial cables is supported by the HDCVI camera. It adopts a unique audio processing and transmission technology that restores source audio and eliminates noise, ensuring the quality and reliability of the audio information that is collected. This becomes important for video surveillance applications that use audio information as a type of supplementary evidence.

#### Smart IR Illumination

With its IR illumination, the camera provides optimal performance in low light conditions, ensuring uniformity in the brightness of B/W images. Through its smart IR technology, the camera also compensates for the distance of targets by adjusting the intensity of its IR LEDs, preventing overexposure of images as targets move closer to the camera.

\* The parameters and datasheets below can only be applied to 1500-S3 series.  
\* In order to use the 5MP 16:9 and the Smart Dual Light HDCVI camera, the firmware of XVR must be upgraded to V4.001.0000004.1.R.220323 or later version.

- Max. 25 fps@5MP (16:9 video output)
- Starlight, 3D NR
- 30 m illumination distance.
- Built-in Mic.
- 3.6 mm fixed lens (2.8 mm optional).
- CVI/CVBS/AHD/TVI switchable.
- IP67, 12 VDC.



#### Super Adapt

With its intelligent algorithm, the camera automatically adjusts its parameters to provide optimal performance and vivid images.

#### Advanced 3DNR

Dahua's advanced 3DNR technology reduces image noise with little to no impact on image sharpness, especially in poor lighting conditions. It detects the noise, and compares the sequential frames to effectively reduce the noise. It also makes efficient use of bandwidth, saving on storage space.

#### Protection (IP67, Wide Voltage)

IP67: The camera passed a series of rigorous dust and immersion tests. Its enclosure is both dust-proof and waterproof, and can function normally while being immersed in 1 m deep water for up to 30 minutes.

Wide voltage: The camera has  $\pm 30\%$  input voltage tolerance (for some power supplies) and a wide voltage range, making it suitable for a variety of outdoor scenarios.

#### 4 Signals over 1 Coaxial Cable

HDCVI technology supports 4 signals (video, audio\*, data and power) which are simultaneously transmitted over a coaxial cable. Dual-way data transmission allows the HDCVI camera to interact with the XVR to perform various actions such as sending control signals and triggering alarms. HDCVI technology also supports PoC, which makes the camera easy and quick to install.

\* Audio input is available for select HDCVI camera models.

## Technical Specification

### Camera

Image Sensor	5 MP CMOS
Max. Resolution	2880 (H) × 1620 (V)
Scanning System	Progressive
Electronic Shutter Speed	PAL: 1/25 s–1/100,000 s NTSC: 1/30 s–1/100,000 s
Min. Illumination	0.01 lux@F1.6 (Color, 30 IRE) 0.001 lux@F1.6 (B/W, 30 IRE) 0 lux (Illuminator on)
S/N Ratio	>65 dB
Illumination Distance	IR: 30 m (98.43 ft)
Illuminator On/Off Control	Auto/Manual
Illuminator Number	3 (IR light)
Angle Adjustment	Pan: 0°–360° Tilt: 0°–90° Rotation: 0°–360°

### Lens

Lens Type	Fixed-focal
Lens Mount	M12
Focal Length	2.8 mm; 3.6 mm
Max. Aperture	F1.6
Field of View	2.8 mm: H: 113.3°; V: 62.1°; D: 134.3° 3.6 mm: H: 90.1°; V: 47.8°; D: 109.3°
Iris Control	Fixed
Close Focus Distance	2.8 mm: 0.8 m (2.62 ft) 3.6 mm: 1.3 m (4.27 ft)

DORI Distance	Lens	Detect	Observe	Recognize	Identify
	2.8 mm	59.8 m ( 196.19 ft)	23.9 m ( 78.41 ft)	12.0 m ( 39.37 ft)	6.0 m ( 19.69 ft)
	3.6 mm	77 m ( 252.62 ft)	30.8 m ( 101.05 ft)	15.4 m ( 50.52 ft)	7.7 m ( 25.26 ft)

\*DORI (Detect, Observe, Recognize, Identify) is a standard system (EN-62676-4) for defining the ability of a person viewing the video to distinguish persons or objects within a covered area. The numbers in this table do not reflect intelligent function distances. For intelligent function distances, refer to installation and commissioning manual/project design tool.

### Video

Video Frame Rate	CVI: PAL: 5M@25 fps; 5M@12.5 fps; 4M@25 fps; 1080p@25 fps NTSC: 5M@25 fps; 5M@20 fps; 5M@10 fps; 4M@30 fps; 1080p@30 fps AHD: PAL: 4M@25 fps NTSC: 4M@30 fps TVI: PAL: 5M 16:9@20 fps NTSC: 5M 16:9@20 fps CVBS: PAL: 960H
------------------	---

Video Frame Rate	NTSC: 960H
Resolution	5M (2880 × 1620); 4M (2560 × 1440); 1080p (1920 × 1080); 960 H (960 × 576/960 × 480); TVI 5M 16:9 (2960 × 1665)
Day/Night	Auto(ICR)/Color/B/W
BLC	BLC; HLC; WDR
WDR	DWDR
White Balance	Auto;Area white balance
Gain Control	Auto/Manual
Noise Reduction	3D NR
Illumination Mode	Smart IR
Mirror	Yes
Privacy Masking	Off/On (8 areas, rectangle)

### Certification

Certifications	CE-LVD: EN 62368-1; CE-EMC: EN 55032; EN 55035;
----------------	--

### Audio

Built-in Mic	Yes
Camera Audio	CVI; TVI
Pick-up Distance	8 m (26.25 ft)

### Port

Video Output	Video output choices of CVI/TVI/AHD/CVBS by one BNC port (DIP Switch)
--------------	---

### Power

Power Supply	12 VDC (±30%)
Power Consumption	Max 3.7 W (12 VDC, IR on)

### Environment

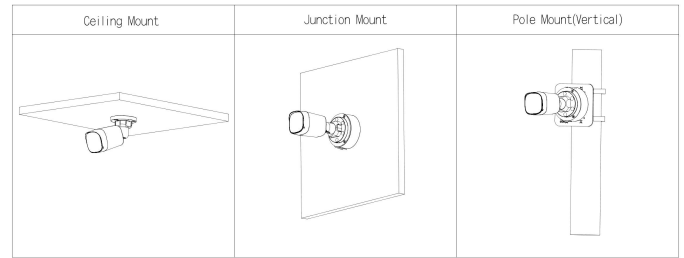
Operating Temperature	–40 °C to +60 °C (–40 °F to +140 °F)
Operating Humidity	<95% (RH), non-condensing
Storage Temperature	–40 °C to +60 °C (–40 °F to +140 °F)
Storage Humidity	<95% (RH), non-condensing
Protection	IP67
Anti-corrosion Level	Basic Protection

### Structure

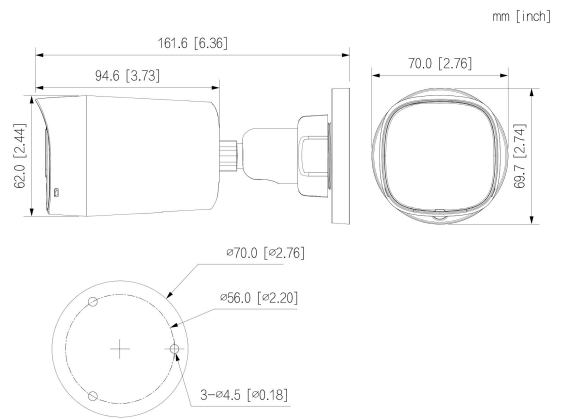
Casing Material	Plastic
Product Dimensions	161.6 mm × 70.0 mm × 69.7 mm (6.36" × 2.76" × 2.74") (L × W × H)
Net Weight	0.20 kg (0.44 lb)
Gross Weight	0.27 kg (0.6 lb)
Installation	Wall mount; ceiling mount; vertical pole mount

**Ordering Information**

Type	Model	Description
HDCVI CAMERA	DH-HAC-HFW1500RLN-A	SMP IR HDCVI Fixed-focal Bullet Camera,NTSC
	DH-HAC-HFW1500RLP-A	SMP IR HDCVI Fixed-focal Bullet Camera,PAL
Accessories (Optional)	G3416GW	G3/4" Water Joint
	DH-PFA130-E	Water-proof Junction Box
	DH-PFA151	Corner Mount Bracket
	DH-PFA152-E	Pole Mount Bracket
	DH-PFA134	Junction Box
	DH-PFM800-4K	1 Channel Passive HDCVI Balun
	DH-PFM321-EN	DC12V1A power adapter
	DH-PFM320D-EN	DC12V2A power adapter
	PFM904	Integrated Mount Tester



**Dimensions (mm[inch])**



**Accessories**

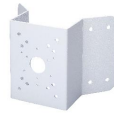
Optional:



DH-PFA130-E  
Water-proof Junction Box



DH-PFA134  
Junction Box



DH-PFA151  
Corner Mount Bracket



DH-PFA152-E  
Pole Mount Bracket



DH-PFM320D-EN  
DC12V2A power adapter



DH-PFM321-EN  
DC12V1A power adapter



DH-PFM800-4K  
1 Channel Passive HDCVI  
Balun



G3416GW  
G3/4" Water Joint



PFM904  
Integrated Mount Tester