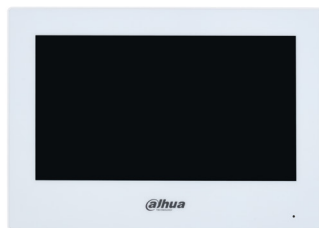


DHI-VTH2621GW-WP

IP Indoor Monitor



- 7" TFT capacitive touch screen, 1024 × 600
- 6-channel alarm input and 1-channel alarm output
- Wi-Fi
- Standard PoE
- Outdoor station and IPC monitor
- H.265 and H.264 video decoding
- High performance & cost-effective



Technical Specification

System

Main Processor	Embedded processor
Operating System	Embedded Linux operating system
Network Protocol	RTSP; RTP; SIP; DNS; SSH
ROM	128 MB
RAM	128 MB
CPU	Dual core 1.2 GHz

Basic

Screen Type	Capacitive Touchscreen
Display	7" TFT
Screen Resolution	1024 × 600
Audio Compression	G.711a; G.711u; PCM
Audio Input	1
Audio Output	Built-in speaker
Audio Mode	2-way Audio
Audio Enhancement	Echo suppression
Audio Bit Rate	16 kHz; 16 Bit

Function

Communication Mode	Full digital
Information Release	Receive and view text information released by the management center
DND Mode	Do not disturb period can be set; Do not disturb mode
Number of Extensions	Villa: 9 Apartment: 4

Wi-Fi	Yes
Wireless Standard	IEEE802.11b/802.11g/802.11n
Wireless Frequency Range	2.4 GHz
Wireless Security Encryption	WPA/WPA2; WPA-PSK/WPA2-PSK

Performance

Casing	PC + ABS
--------	----------

Port

Alarm Input	6
Alarm Output	1
Power Output	1 (12 V/200 mA)
Door Bell	Yes (use any alarm input port)
Network	One 10 /100 Mbps Ethernet
Network	One 10 Mbps/100 Mbps Ethernet

Alarm

SOS	Yes
-----	-----

General

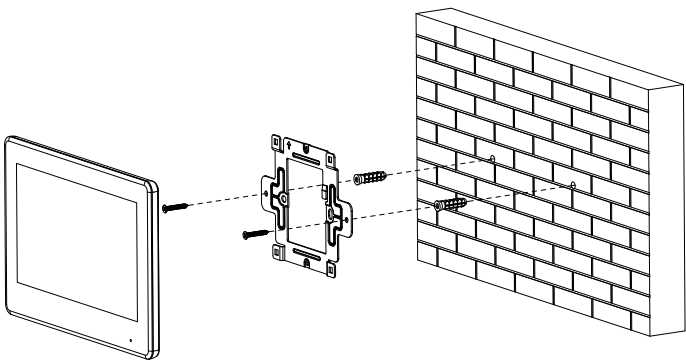
Color	White
Power Supply	12 VDC 1A; Standard PoE (36–57 V, 0.35 A)
Installation	Surface Mount
Certifications	CE; FCC
Accessory	Bracket and alarm ribbon cable (included)
Dimensions	189.6 mm × 134.6 mm × 26.0 mm (7.50" × 5.30" × 1.00")
Operating Temperature	–10 °C to +55 °C (+14 °F to 131 °F)

Operating Humidity	10%–95% RH (non-condensing)
Operating Altitude	Beneath 3,000 m (9,842.52 ft)
Power Consumption	Standby ≤ 2W; working ≤ 6W
Net Weight	0.34 kg (0.74 lb)
Gross Weight	0.58 kg (1.27 lb)
Gross Weight	575 g (1.27 lb)

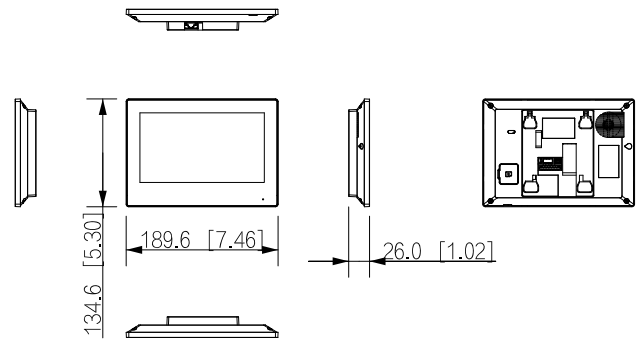
Ordering Information

Type	Model	Description
IP Indoor Monitor	DHI-VTH2621GW-WP	IP & Wi-Fi Indoor Monitor

Installation



Dimensions (mm[inch])



Application

