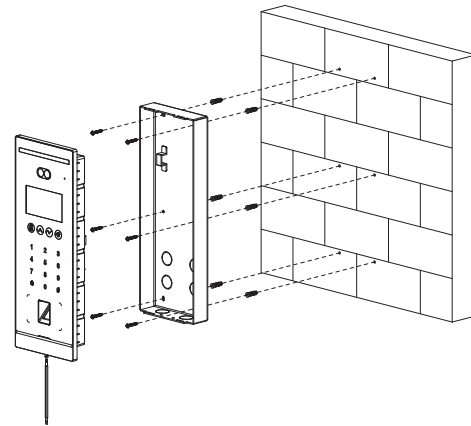


VTM130

Surface Mounting Plate for VTO65/75 Series Door Station



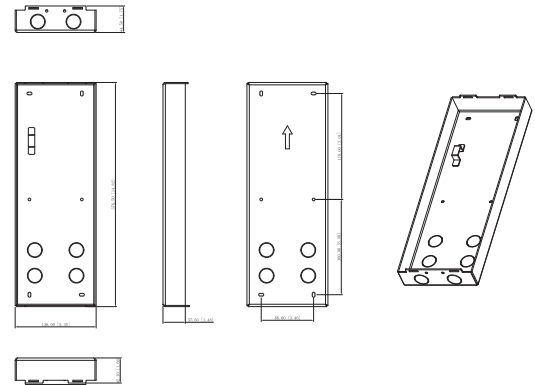
Installation



Technical Specification

| | |
|-----------------------|---|
| Color | Silver |
| Installation | Surface mount |
| Dimensions | 376.5 mm × 136 mm × 37.5 mm (14.82" × 5.35" × 1.48") |
| Operating Temperature | -30°C to +70°C (-22°F to +158°F) |
| Operating Humidity | 10%RH-90%RH |
| Product Material | Aluminum alloy |
| Gross Weight | 1.1 kg (2.43 lb) |

Dimensions (mm[inch])



Ordering Information

| Type | Model | Description |
|----------------|--------|---|
| Mounting Plate | VTM130 | Surface Mounting Plate for VTO65/75 Series Door Station |