

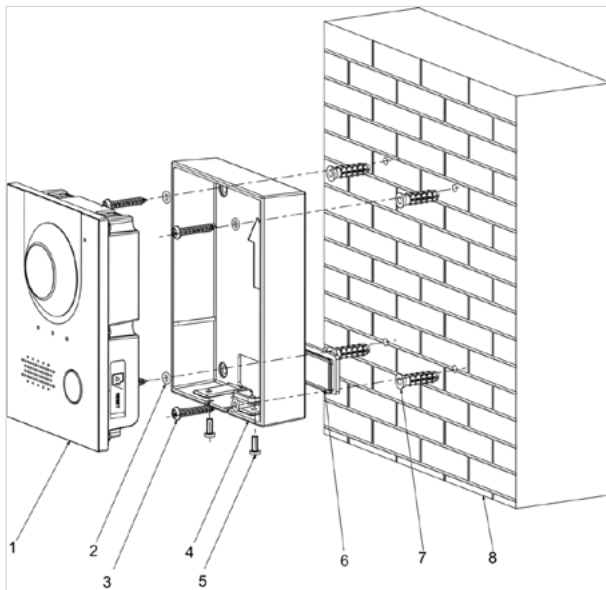
# VTM115

## VTM115+Surface mounted Box

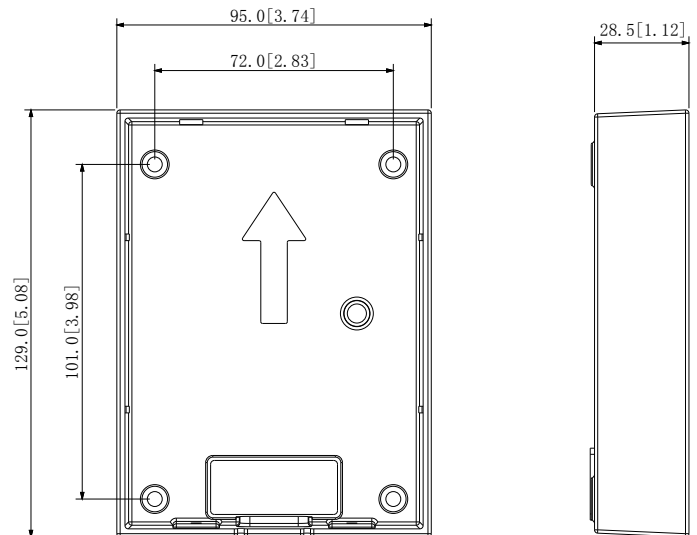


- Material:AL5052 t=2.0mm
- Dimensions: 129.0mm×95.0mm×28.5mm (5.08"×3.74"×1.12")

### Installation



### Dimensions (mm[inch])



**Step1** With the help of installation diagram, hammer four expansion screws into the wall.

**Step2** Install the waterproof silica gel pad on the mounting box from the back of the mounting box.

**Step3** Put four waterproof rings on four ST4×25 self-tapping screws.

**Step4** Install the mounting box on the wall by screw the four ST4×25 self-tapping screws into the expansion screws.

**Step5** Put the VTO into the mounting box.

**Step6** Fix the VTO to the mounting box by screwing two M3×8 screws from the bottom of the mounting box.