



Network

Multi-sensor

PNM-9002VQ

2MP/5MP x 4CH Multi-directional Camera



Key Features

- Exchangeable 4ea x 2MP / 5MP lens modules
- 8MP to 20MP resolution (depend on the combination of lens modules)
- Max. 60fps@2MP (H.265 / H.264)
- WDR 150dB (2MP), 120dB (5MP)
- 2.4mm, 2.8mm, 3.6mm, 6mm fixed lens (2MP module)
- 3.7mm, 4.6mm, 7mm fixed lens (5MP module)
- H.265, H.264, MJPEG codec, Multi streaming support
- Video analytics, WiseStream II
- IP66, IK10
- PoE+

Compatible Accessories (Optional)



SBP-390MMW2



SBP-276HMW



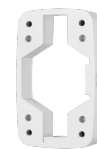
SHD-3000F5



SBP-300MMW



SBP-300MMW1



SBP-300BW



SBP-300NBW



SBP-300LMW



SBP-300KMW



SBP-300PMW



SBP-300CMW

PNM-9002VQ

2MP/5MP x 4CH Multi-directional Camera

Specifications

Video

Resolution	1920x1080, 1280x1024, 1280x960, 1280x720, 1024x768, 800x600, 800x448, 720x576, 720x480, 640x480, 640x360, 320x240
Max. Framerate	H.265/H.264: 2MP Max. 60fps/50fps(60Hz/50Hz) MJPEG: Max. 30fps/25fps(60Hz/50Hz)
Video Out	CVBS : 1.0 Vp-p / 75Ω composite, 720x480(N), 720x576(P), for installation

Lens

Optional Lens	SLA-2M2400Q(2MP 2.4mm) SLA-2M2800Q(2MP 2.8mm) SLA-2M3600Q(2MP 3.6mm) SLA-2M6000Q(2MP 6.0mm) SLA-5M3700Q(5MP 3.7mm) SLA-5M4600Q(5MP 4.6mm) SLA-5M7000Q(5MP 7.0mm)
----------------------	--

Operational

Camera Title	Displayed up to 85 characters
Day & Night	Auto(Electrical)
Backlight Compensation	BLC, HLC, WDR, SDR
Wide Dynamic Range	150dB
Digital Noise Reduction	SSNR V
Digital Image Stabilization	Support
Defog	Support
Motion Detection	8ea, 8point polygonal zones
Privacy Masking	32ea, polygonal zones - Color: Grey/Green/Red/Blue/Black/White - Mosaic
Gain Control	Low / Middle / High
White Balance	ATW / AWC / Manual / Indoor / Outdoor
LDC	Support
Electronic Shutter Speed	Minimum / Maximum / Anti flicker (2~1/12,000sec)
Video Rotation	Flip, Mirror, Hallway view(90°/270°)
Analytics	Defocus detection, Directional detection, Face detection, Fog detection, Motion detection, Appear/Disappear, Enter/Exit, Loitering, Tampering, Virtual line
Alarm Triggers	Analytics, Network disconnect
Alarm Events	File upload via FTP and e-mail Notification via e-mail SD/SDHC/SDXC recording at event triggers

Network

Ethernet	Metal shielded RJ-45(10/100BASE-T)
Video Compression	H.265/H.264: Main/Baseline/High, MJPEG
Smart Codec	Manual(5ea area), WiseStream II
Bitrate Control	H.264/H.265: CBR or VBR MJPEG: VBR
Streaming	Unicast(20 users) / Multicast Multiple streaming(Up to 10 profiles)
Protocol	IPv4, IPv6, TCP/IP, UDP/IP, RTP(UDP), RTP(TCP), RTCP, RTSP, NTP, HTTP, HTTPS, SSL/TLS, DHCP, FTP, SMTP, ICMP, IGMP, SNMPv1/v2c/v3(MIB-2), ARP, DNS, DDNS, QoS, PIM-SM, UPnP, Bonjour, LLDP

Security	HTTPS(SSL) Login Authentication Digest Login Authentication IP Address Filtering User access log 802.1X Authentication(EAP-TLS, EAP-LEAP)
Application Programming Interface	ONVIF Profile S/T SUNAPI(HTTP API)

General

Webpage Language	English, Korean, Chinese, French, Italian, Spanish, German, Japanese, Russian, Swedish, Portuguese, Czech, Polish, Turkish, Dutch, Hungarian, Greek
Edge Storage	Micro SD/SDHC/SDXC 4slot 256GB(Each CH)
Memory	3GB RAM, 768MB Flash

Environmental & Electrical

Operating Temperature / Humidity	-40°C ~ +55°C(-40°F ~ +131°F) / Less than 90% RH
Storage Temperature / Humidity	-50°C ~ +60°C(-58°F ~ +140°F) / Less than 90% RH
Certification	IP66, IK10
Input Voltage	PoE+(IEEE802.3at, Class4)
Power Consumption	Max 25.5W

Mechanical

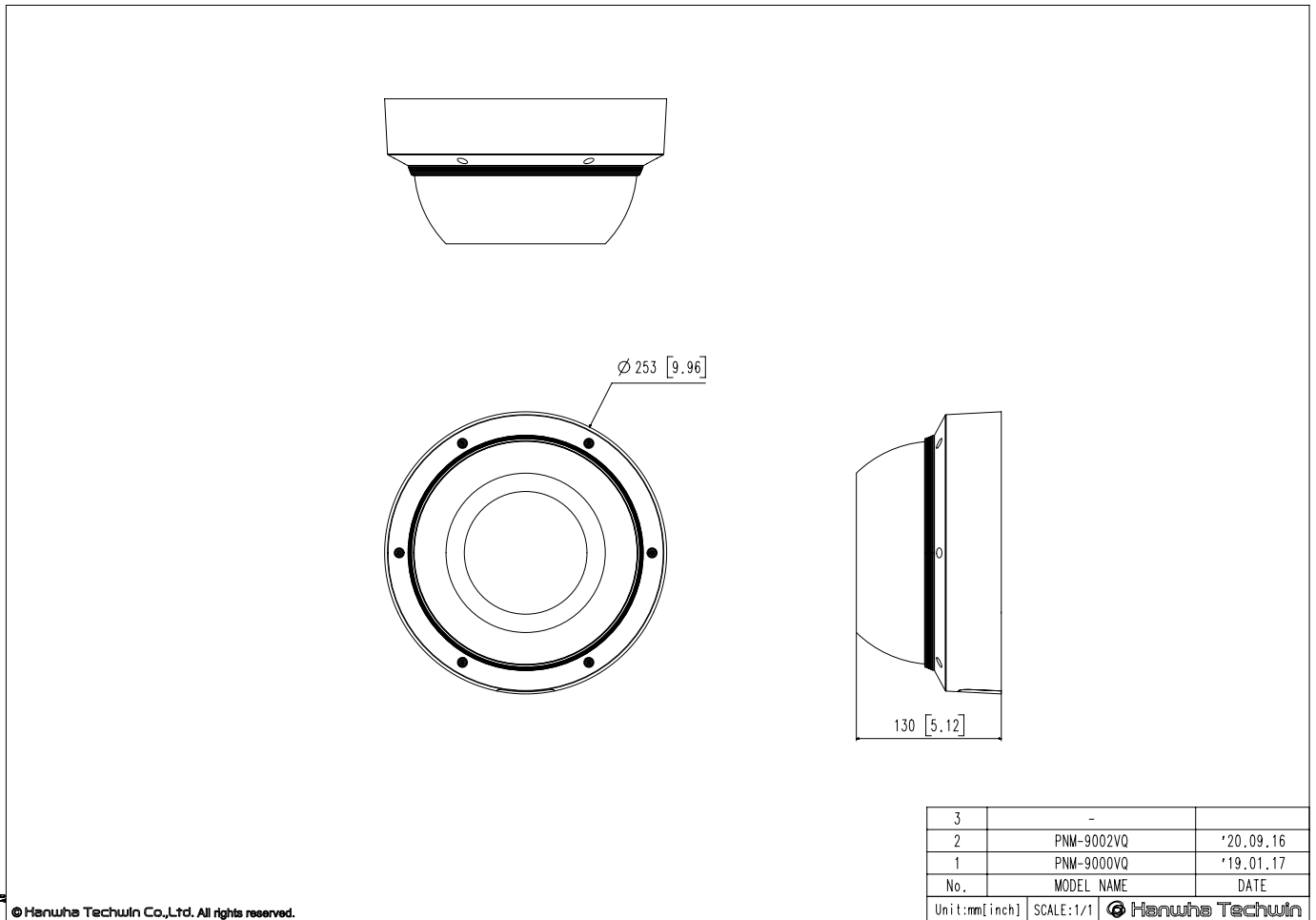
Color / Material	White / Aluminum
RAL Code	RAL9003
Product Dimensions / Weight	Ø253mmx130mm, 3000g
Compatible Conduit hole / Gangbox	3/4"
Hanging Mount (Dome)	SBP-276HMW

PNM-9002VQ

2MP/5MP x 4CH Multi-directional Camera

CAD

Unit: mm [inch]



© Hanwha Techwin Co., Ltd. All rights reserved.