



# SLA-T2480WDA

2MP Waterproof Dome Lens Module



## Key Features

- Color: 0.045Lux(F2.0, 1/30sec) with PNM-9000QB, XNB-6002
- 2.4mm fixed focal
- Product Dimensions / Weight: ø110.0x77.0mm(ø3.54x2.36"), 450g(0.99lb)
- EN IEC 63000, IEC 60529 IP66, IEC 62262 IK10, NEMA 250 type 4X

# SLA-T2480WDA

2MP Waterproof Dome Lens Module



## Specifications

### Video

Imaging Device	1/2.8" CMOS
Min. Illumination	Color: 0.045Lux(F2.0, 1/30sec, 30IRE) BW: 0.045Lux(F2.0, 1/30sec, 30IRE) * with PNM-9000QB, XNB-6002

### Lens

Focal Length (Zoom Ratio)	2.4mm fixed focal
Max. Aperture Ratio	F2.0
Angular Field of View	H: 138° / V: 73° / D: 165°
Mount Type	RJ12 connected with main unit
Focus Control	Fixed

### Pan / Tilt / Rotate

Pan / Tilt / Rotate Range	0°~350° / 0°~70° / 0°~355°
---------------------------	----------------------------

### Environmental & Electrical

Operating Temperature / Humidity	-30°C~+55°C(-22°F ~+131°F) / 0~95% RH * Start up should be done at above -30°C
Storage Temperature / Humidity	-50°C~+60°C(-58°F ~+140°F) / 0~95% RH
Certification	IP66, NEMA 4X, IK10

### Mechanical

Color / Material	White / Plastic
Product Dimensions / Weight	ø110.0x77.0mm(ø3.54x2.36"), 450g(0.99lb) Cable: 8m(26.2ft)

### Certifications & Standards

EMC	FCC 47 CFR 15 Subpart B Class A ICES-3(A)/NMB-3(A) CE/UKCA - EN 55032 Class A, EN 50130-4, EN 61000-3-2, EN 61000-3-3 VCCI CISPR 32 Class A RCM AS/NZS CISPR 32 Class A KS C 9832 Class A, KS C 9835
Safety	UL 62368-1, CAN/CSA C22.2 NO. 62368-1
Environment	EN IEC 63000 IEC 60529 IP66, IEC 62262 IK10 NEMA 250 type 4X

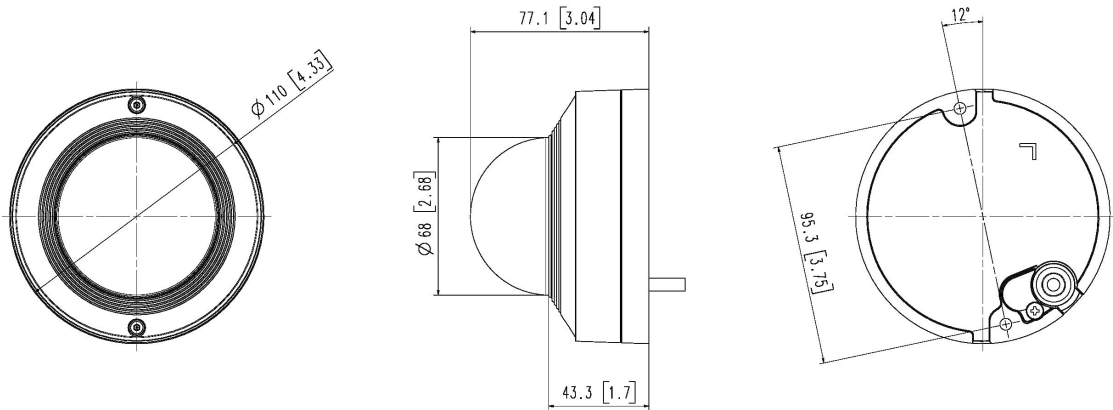
# SLA-T2480WDA

2MP Waterproof Dome Lens Module



CAD

Unit:mm [inch]



3		
2		
1	SLA-T2480WDA	'23.11.24
No.	MODEL NAME	DATE
Unit:mm[inch] SCALE:1/1		Hanwha Vision

T/C-153652-

© Hanwha Vision Co.,Ltd. All rights reserved.