

# QM5503 55-INCH 4K DIGITAL SIGNAGE DISPLAY

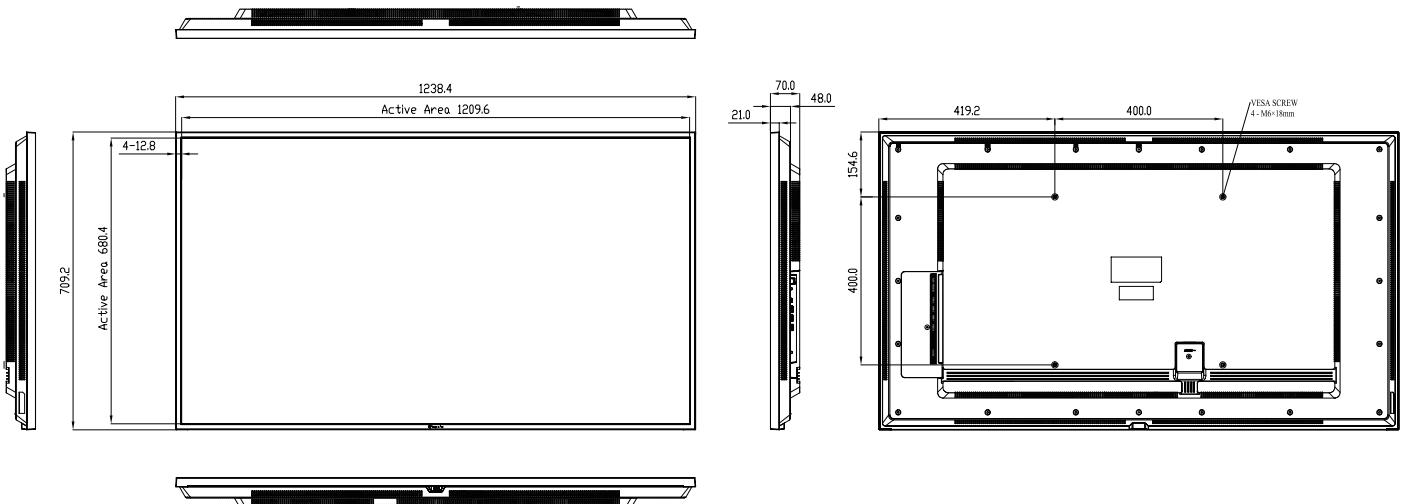


## FEATURES

- **4K Ultra HD Resolution:** Sharp, detailed visuals for impactful presentations.
- **500 nits High Brightness and Anti-Glare Panel:** Provides clear visibility in bright indoor environments.
- **Compact and Versatile Design:** Slim design fits narrow spaces, supports landscape and portrait installation.
- **Alink™ Function:** Synchronized powering on/off via HDMI.
- **Anti-Burn in™ Technology:** Prevents image ghosting.
- **HDR Mode via HDMI:** Enhances contrast and color for vivid, high-impact visuals.
- **Built-in USB Media Playback:** Allows simple content delivery directly from a USB drive.
- **Versatile Connectivity:** Includes HDMI x 2 and USB Type-C for flexible media input.
- **Compatible with Neovo Controller Software:** Easily control multiple displays simultaneously via RS232/LAN.

The QM-Series 4K UHD signage display offers clear, high-resolution visuals in a slimmer, lighter design than its predecessor. It features improved brightness and a non-glare panel for better visibility in different lighting conditions. It is built for reliable, long-term use, supporting both portrait and landscape orientations, and features Anti-Burn-in™ technology to prevent image ghosting. Built-in USB media playback allows simple content delivery directly from a USB drive, while dual HDMI ports and a USB Type-C input support a wide range of media sources. It is ideal for retail, hospitality, and other public environments.

## TECHNICAL DRAWING



## SPECIFICATIONS

### Panel

Panel Type	LED-Backlit TFT LCD (VA Technology)
Panel Size	54.6"
Max. Resolution	UHD 3840 x 2160
Pixel Pitch	0.315 mm
Brightness	500 cd/m <sup>2</sup>
Contrast Ratio	5000:1
Viewing Angle (H/V)	178°/178°
Display Colour	1.07G
Response Time	5 ms
Surface Treatment	Anti-Glare Treatment (Haze 25%), 3H Hard Coating

### Frequency

Frequency (H)	15 kHz-135 kHz
Frequency (V)	24 Hz-85 Hz

### Signal Input

HDMI	2.0 x 2
Type-C	x 1 (w/o PD)

### External Control

RS232 In	3.5 mm Phone Jack
RJ45	RJ45 x 1

### Other Connectivity

USB	2.0 x 1 (Service Port / Media Playback)
-----	---

### Audio

Audio Out	Stereo Audio Jack (3.5 mm)
Internal Speakers	10W x 2

### Power

Power Supply	Internal
Power Requirements	AC 100-240V, 50/60 Hz
On Mode	135W(On)
Standby Mode	< 0.5W

### Operating Conditions

Temperature	0°C-40°C (32°F-104°F)
Humidity	20%-80% (non-condensing)

### Storage Conditions

Temperature	-20°C-60°C (-4°F-140°F)
Humidity	20%-80% (non-condensing)

### Mounting

VESA FPMPI	Yes (400 x 400 mm)
------------	--------------------

### Dimensions

Bezel Width	Even bezel 12.8 mm
Product w/o Base (W x H x D)	1238.4 x 709.2 x 70.0 mm (48.8" x 27.9" x 2.8")
Packaging (W x H x D)	1390.0 x 830.0 x 144.0 mm (54.7" x 32.7" x 5.7")

### Weight

Product w/o Base	13 kg (28.7 lb)
Packaging	17.6 kg (38.8 lb)

### Regulation Approval

Certifications & Compliance	FCC, ICES-003 Issue 7, CE, LVD, WEEE, RoHS, REACH, EAC, UKCA
-----------------------------	--

### Accessories

Supplied	Power Adaptor, HDMI Cable, Remote Control, Batteries, Quick Start Guide
----------	---

### Optional Accessories

Ceiling Mount (Landscape only)	CMP-01 + LMK-01
Desk mount (Landscape only)	DTS-01
Video Wall Mount	VWM-01
Wall Mount	LMA-01, LMA-02
Wall Mount (Landscape only)	LMK-01, LMK-03

